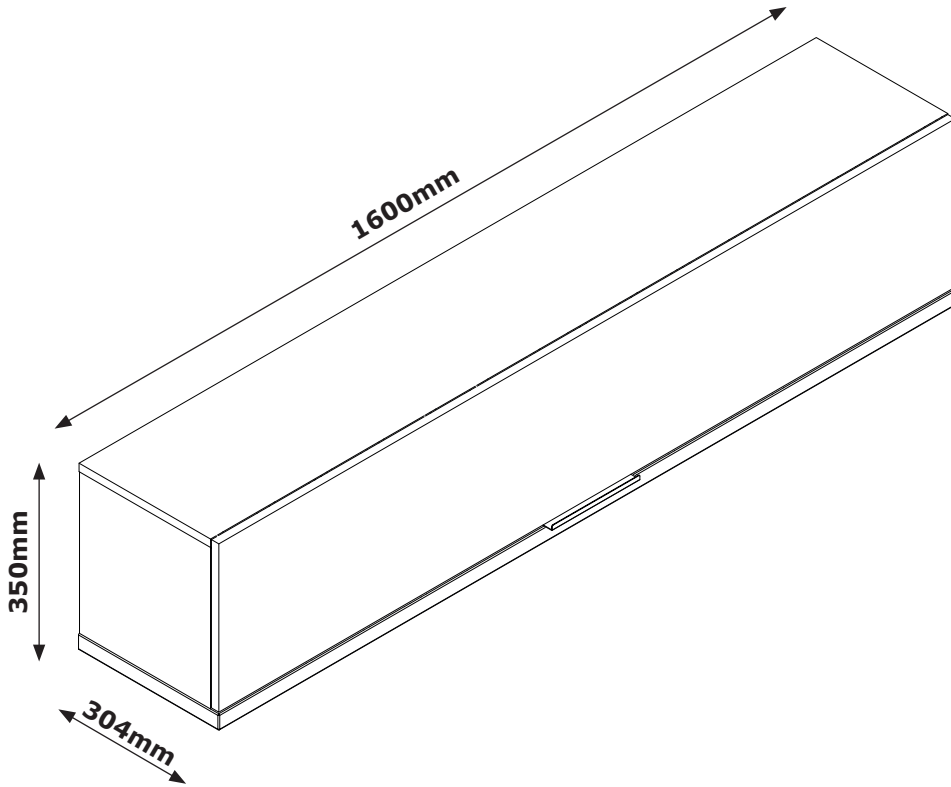
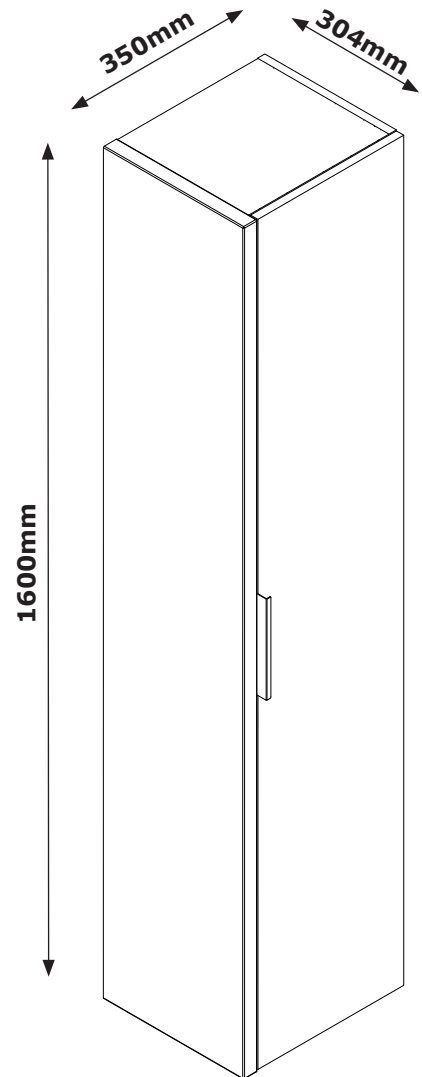


# PN0384K77404

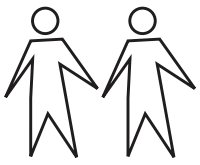


**A**

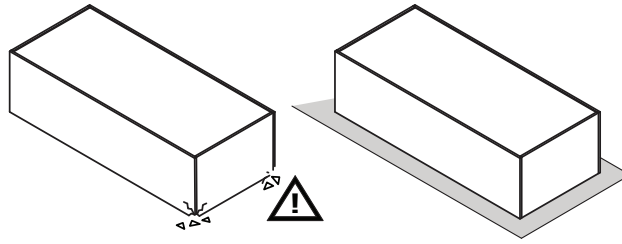
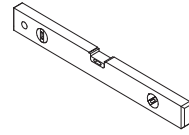
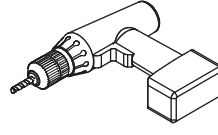
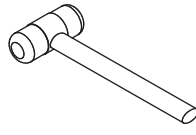
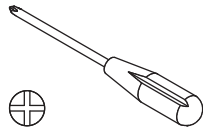
**B**



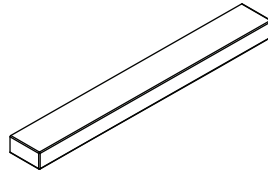
QF5748-1



2,5 h

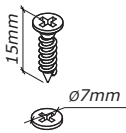


**BU4918**

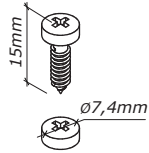


**M94**  
x1

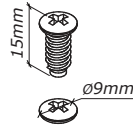
**BU4815**



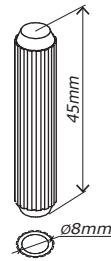
**V5**  
x6



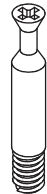
**V81**  
x4



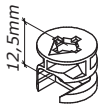
**V10**  
x8



**H325**  
x16



**T28**  
x16



**T7**  
x16



**H113**  
x2

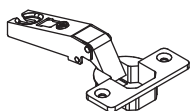


**H54**  
x10

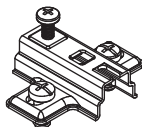


**H15**  
x26

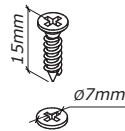
**BU4734**



**C66**  
x3

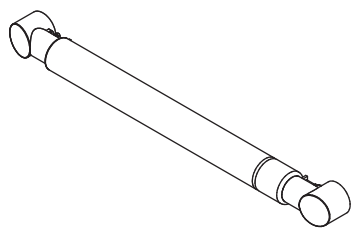


**B27**  
x3

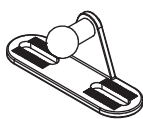


**V5**  
x6

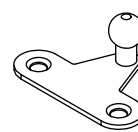
**BU4751**



**H264**  
x2

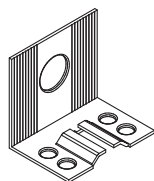


**H230**  
x2

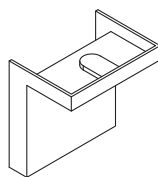


**H333**  
x2

**CF0105** X2



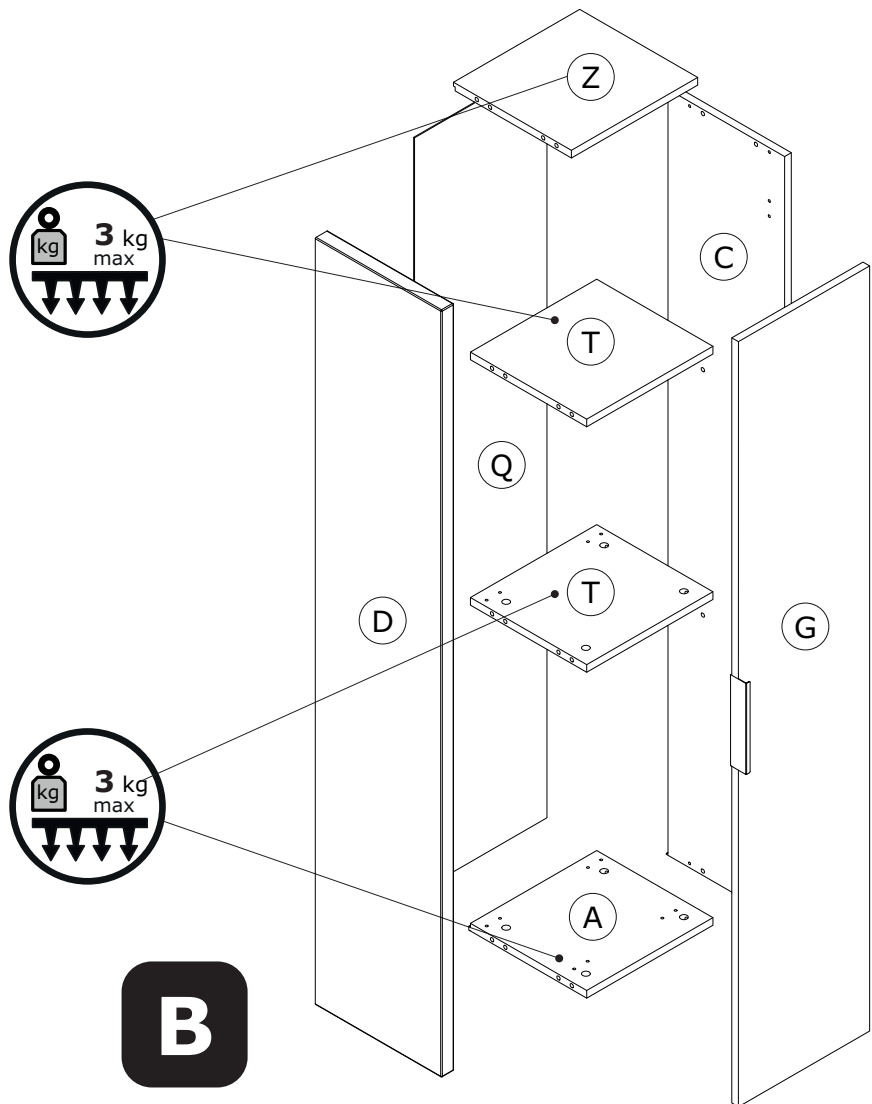
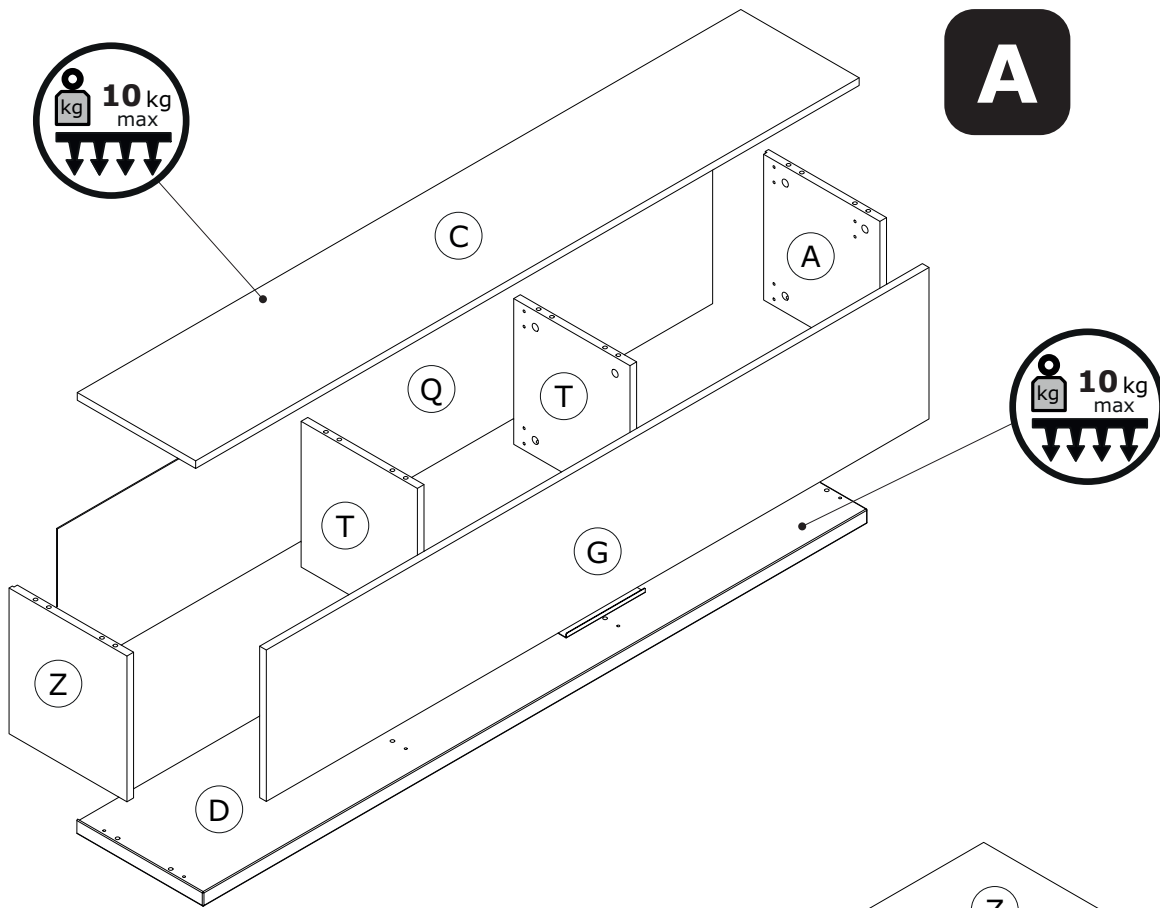
**H16**  
x2

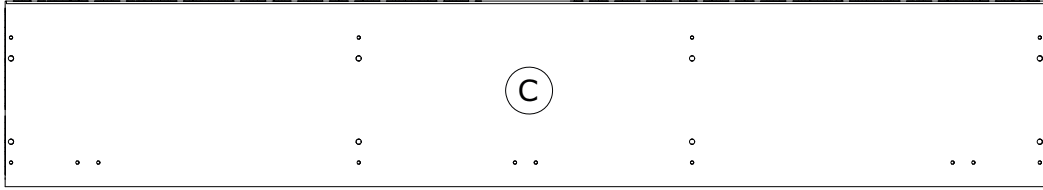


**G35**  
x2

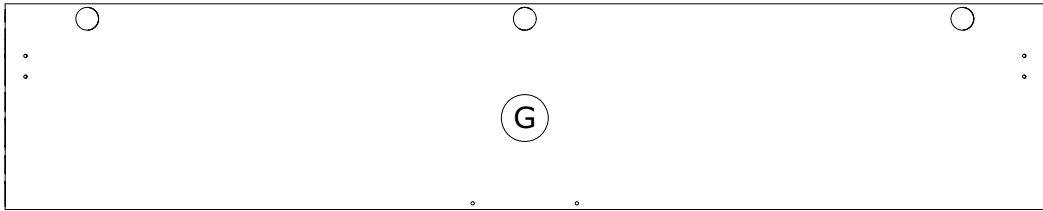


**H106**  
x2

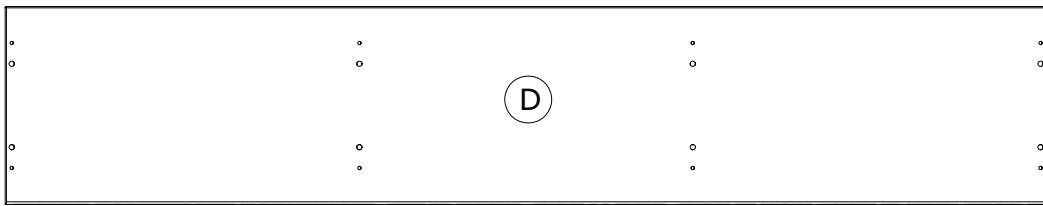




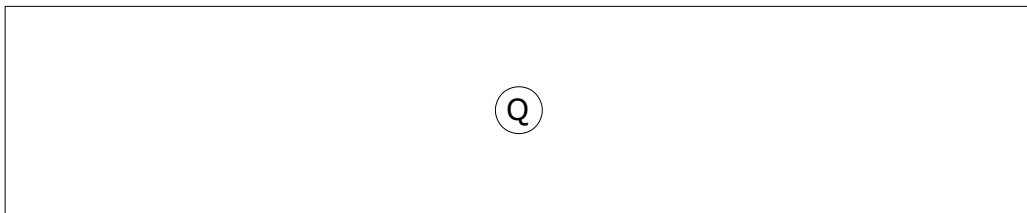
**CA3861**  
1598x285x16mm



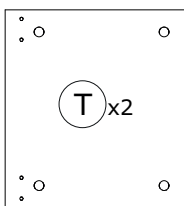
**AN3165**  
1596x316x16mm



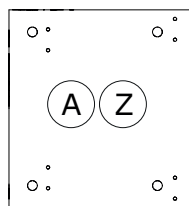
**BA2366**  
1600x304x30mm



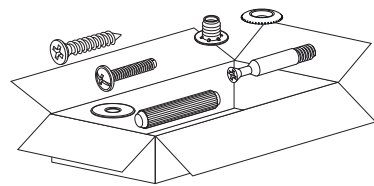
**SH3624**  
1578x319x2mm



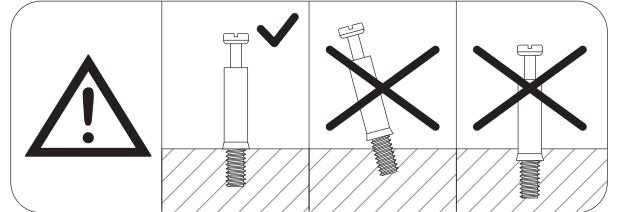
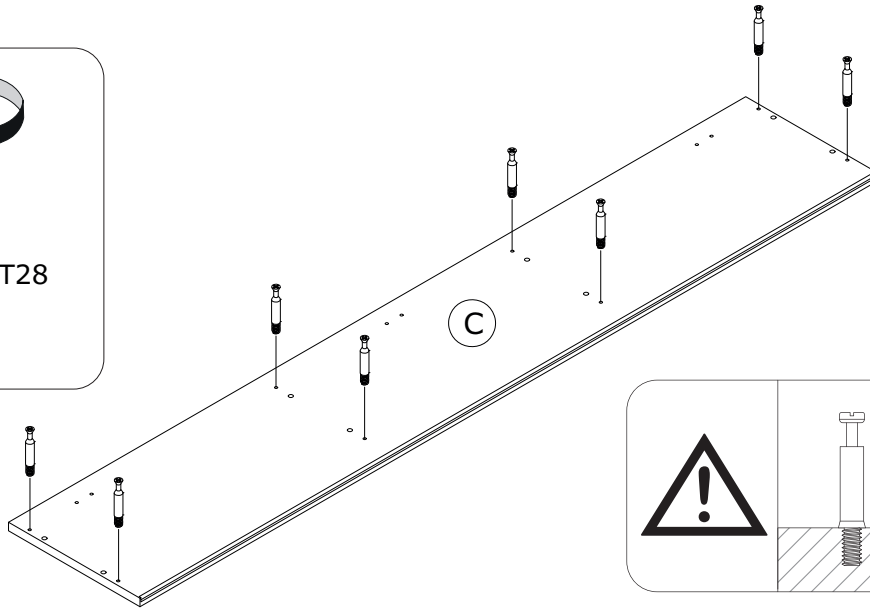
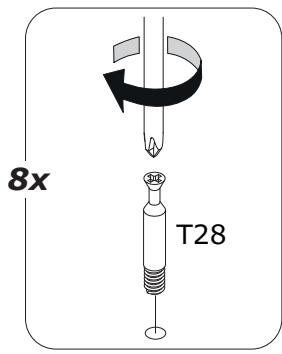
**TR2465**  
304x280x16mm



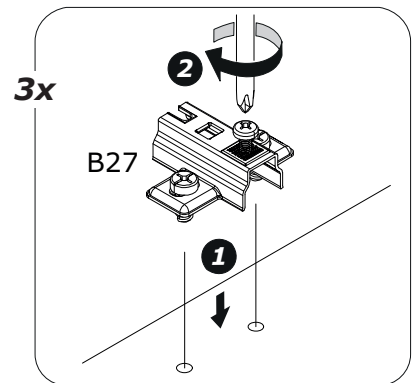
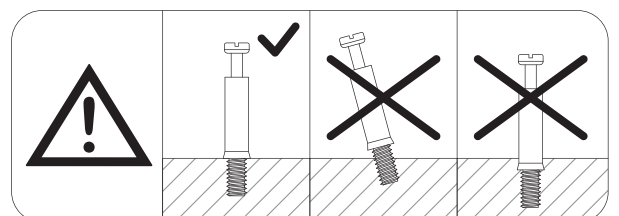
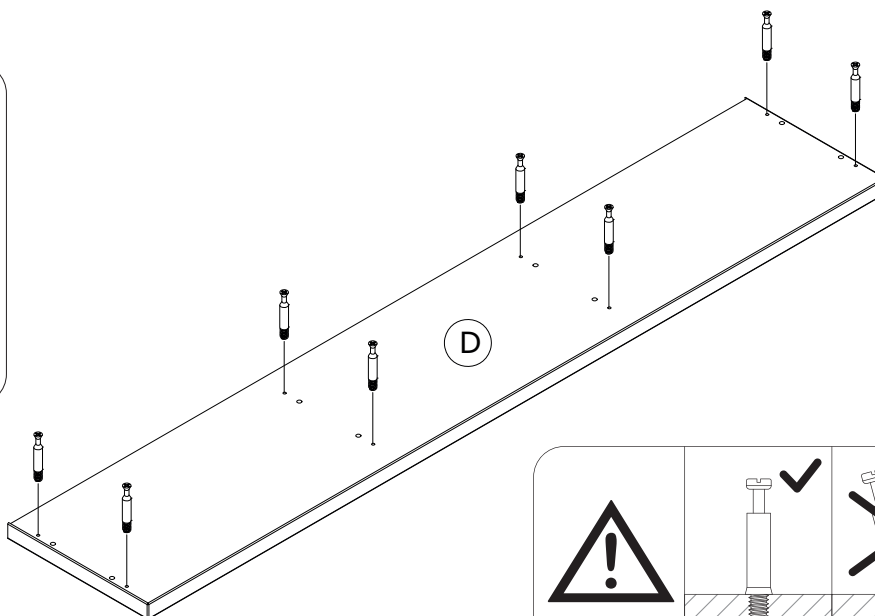
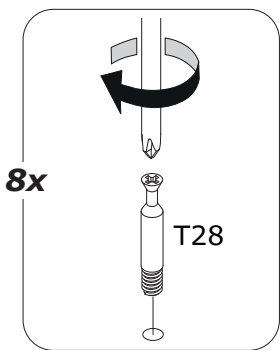
**FI9211**  
304x284x16mm



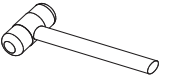
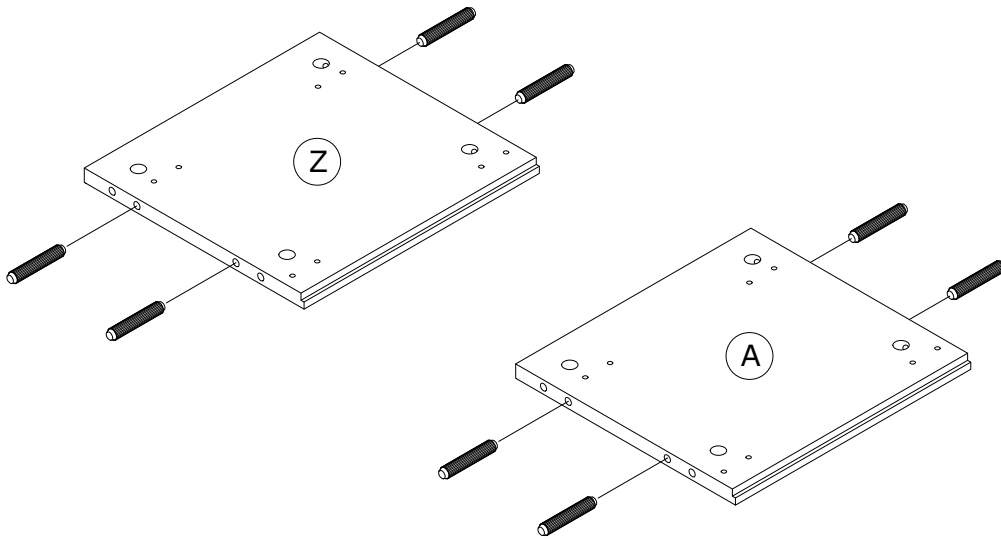
1



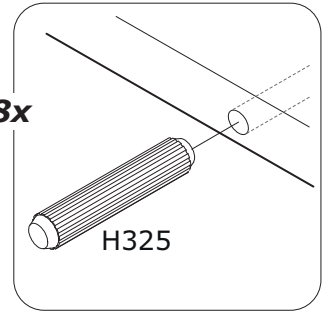
2



3

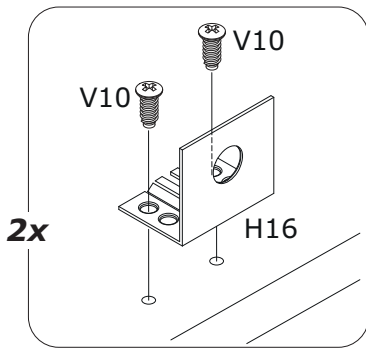


8x

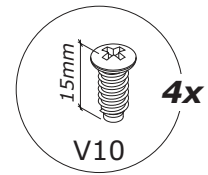
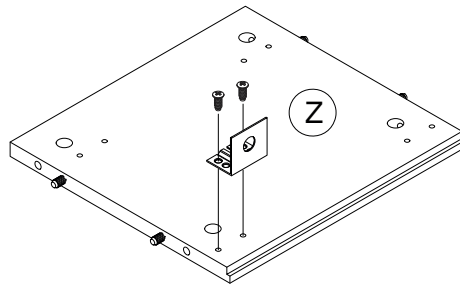


H325

4

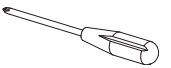
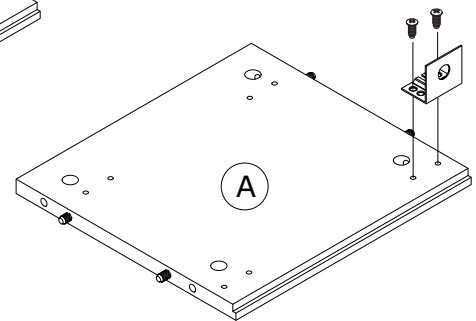


2x

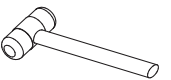
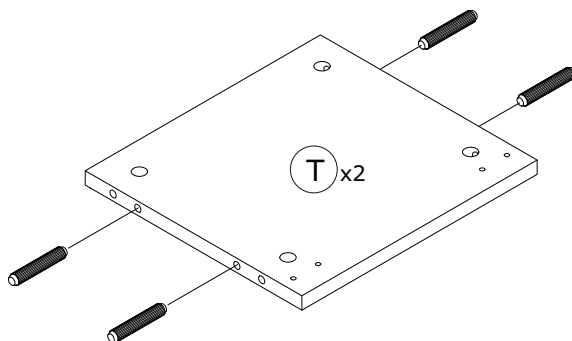


4x

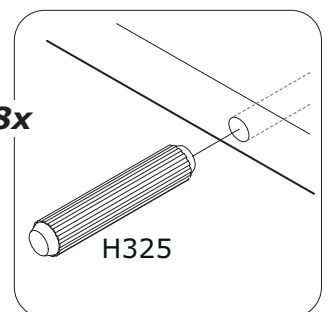
V10



5

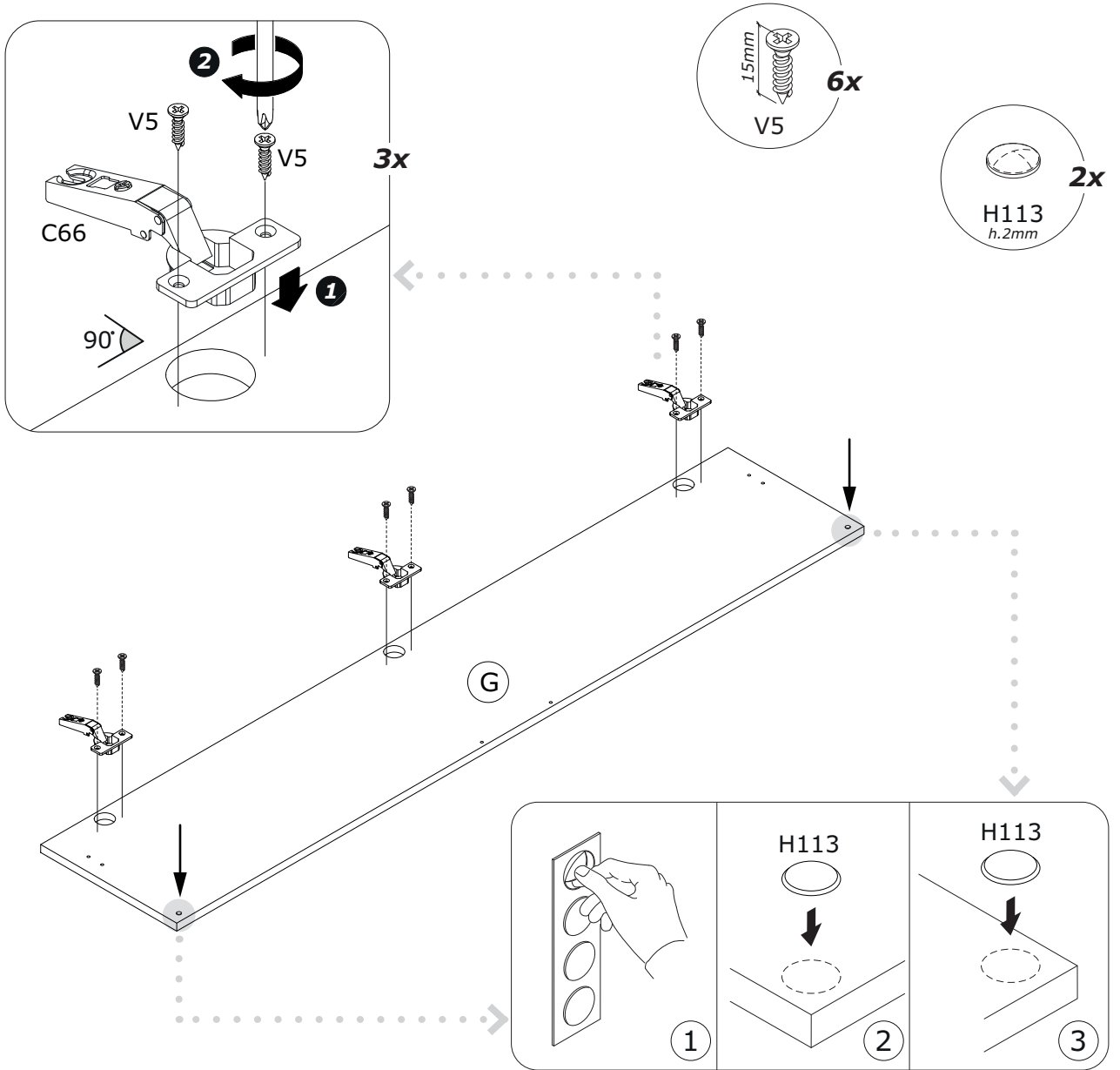
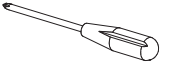


8x

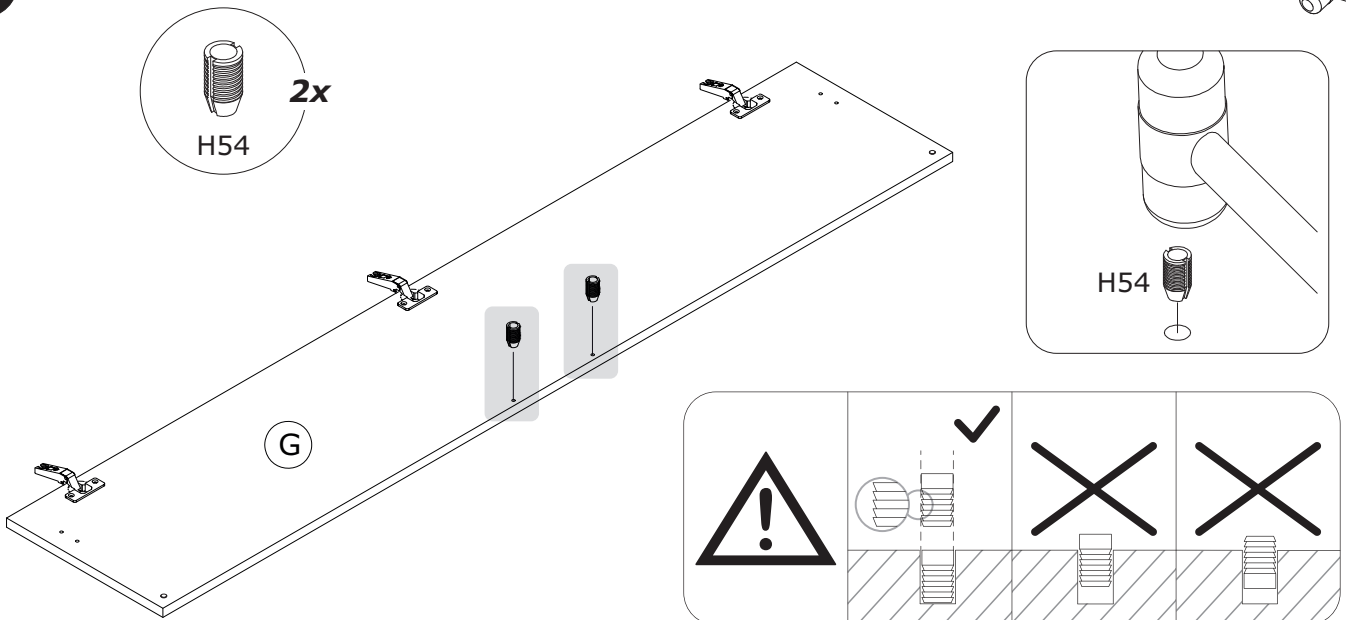
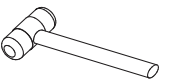


H325

6

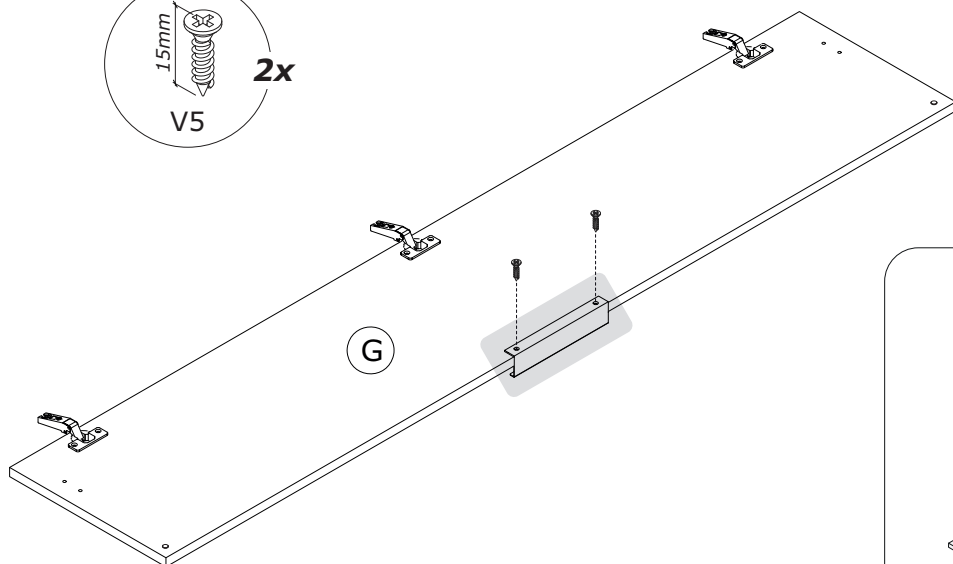
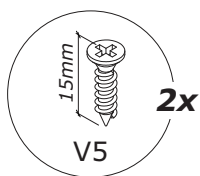
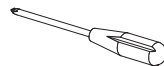


7

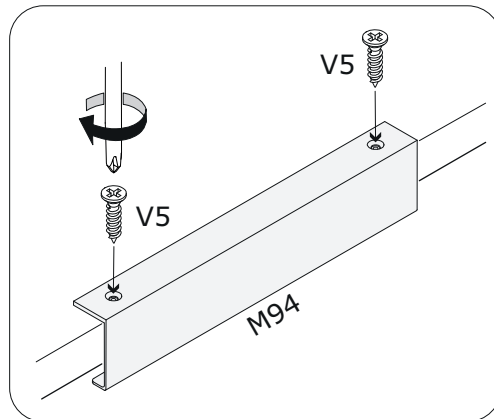




8



G

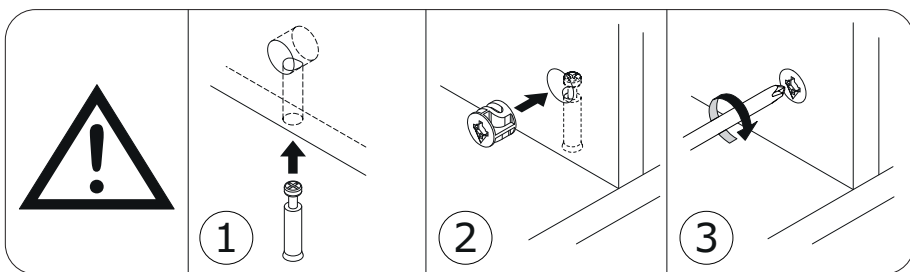


V5

V5

M94

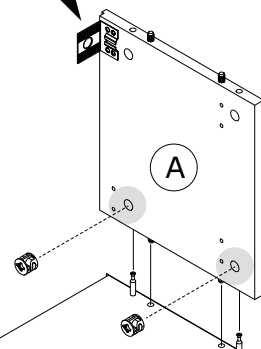
9



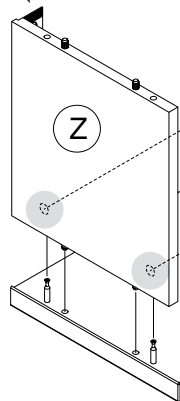
1

2

3

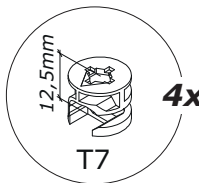


A



Z

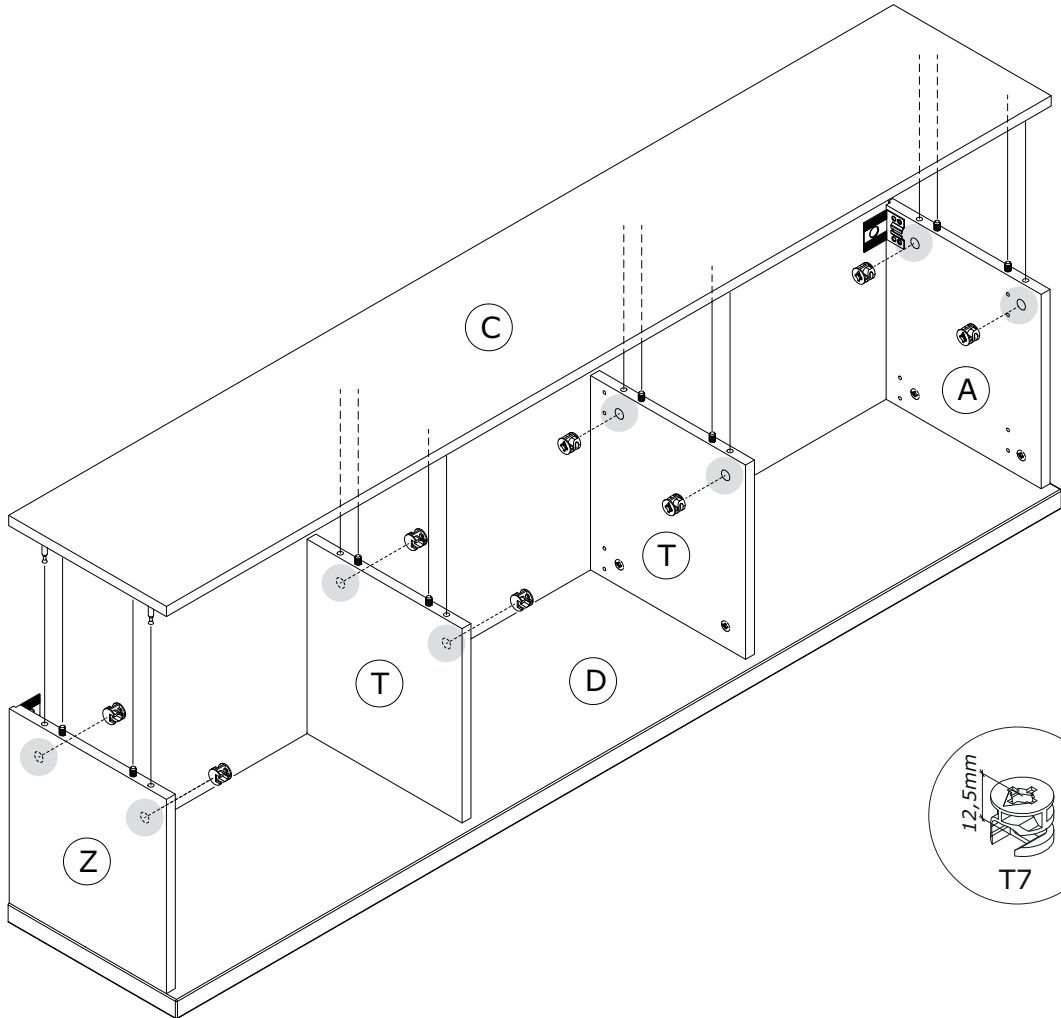
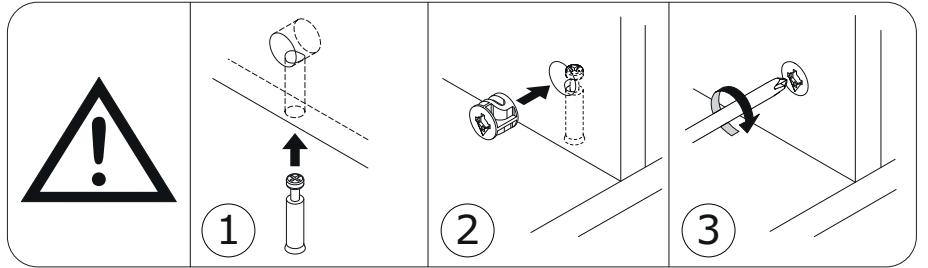
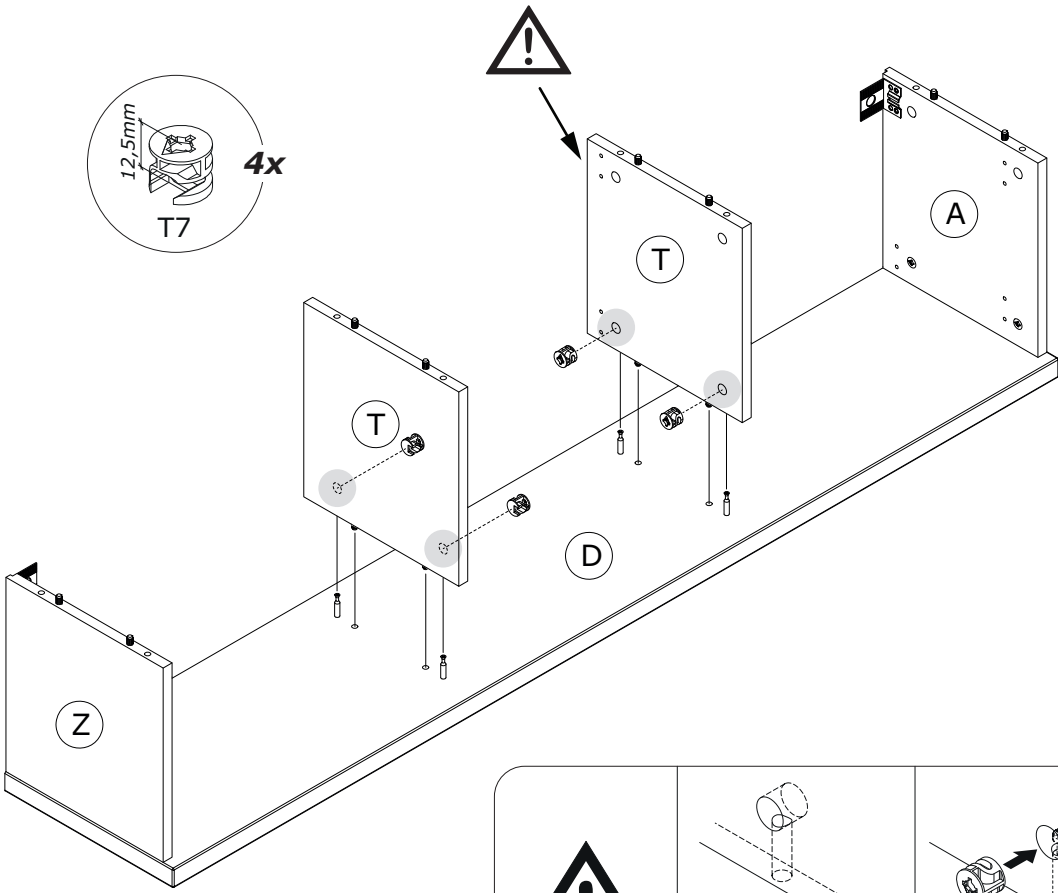
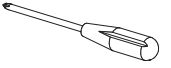
D



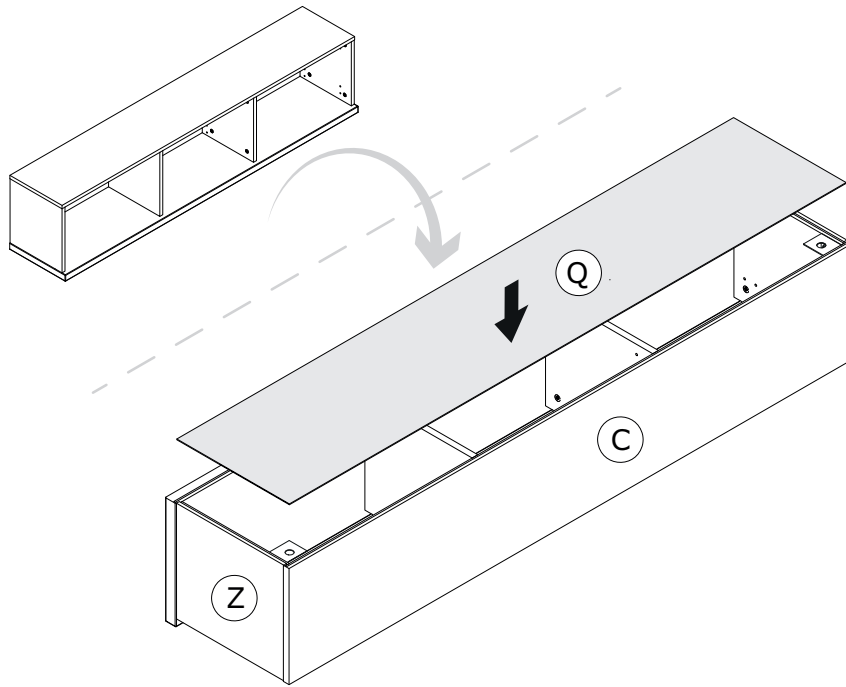
12,5mm

T7

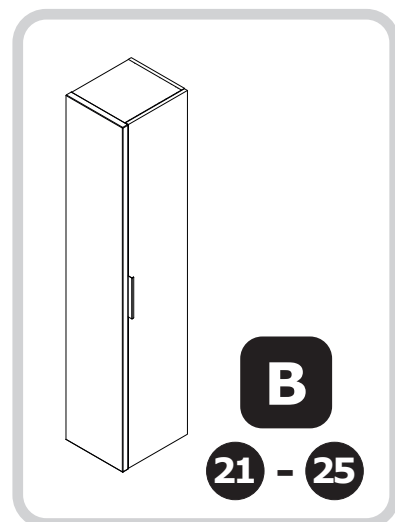
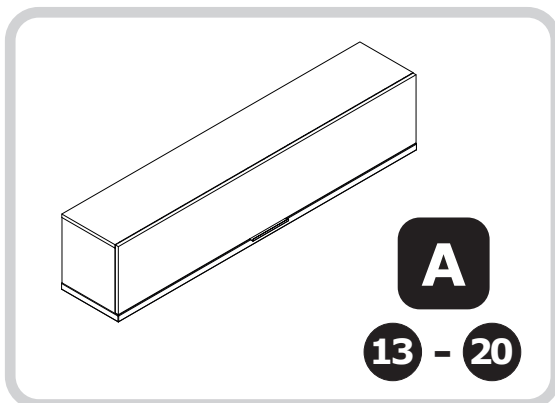
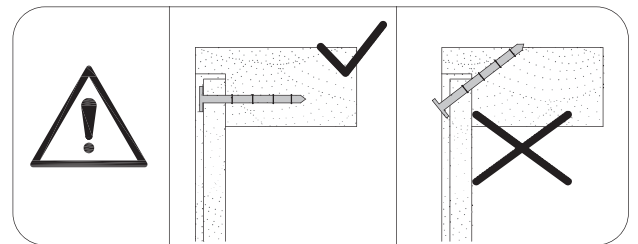
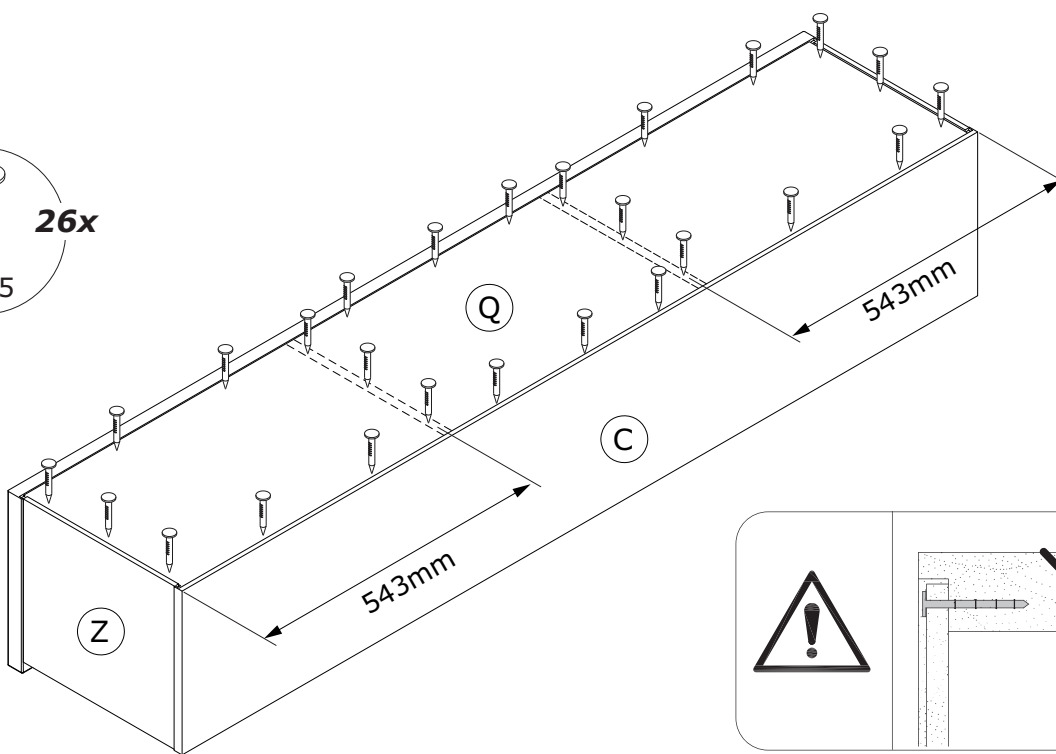
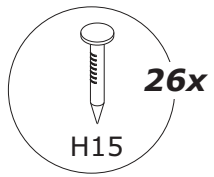
4x

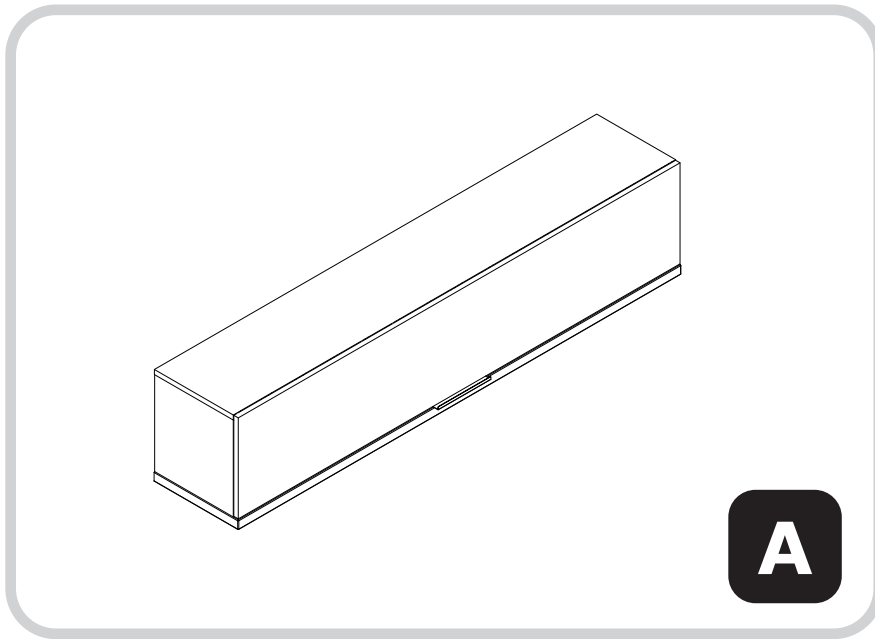


11



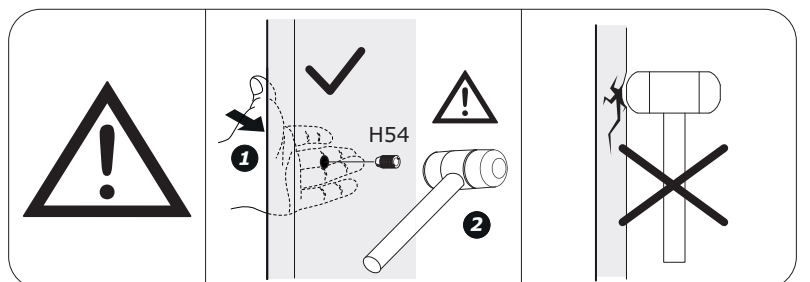
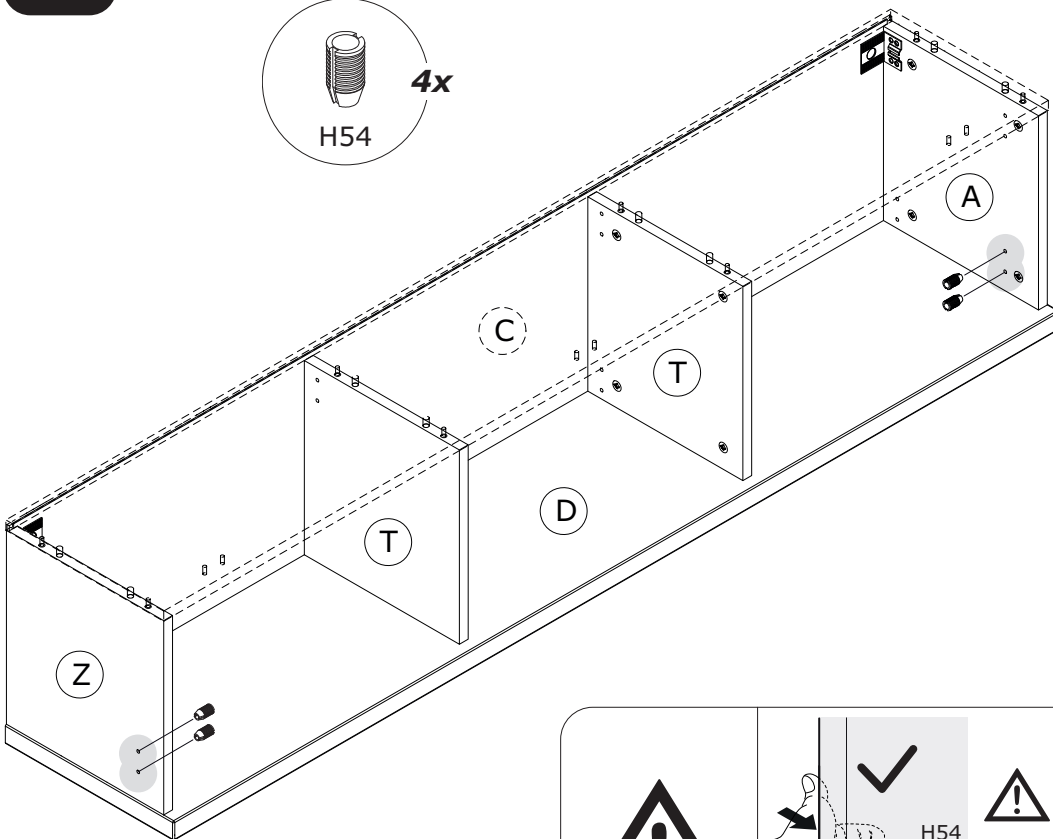
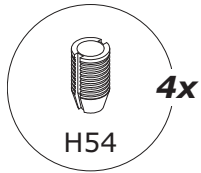
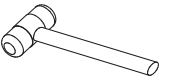
12





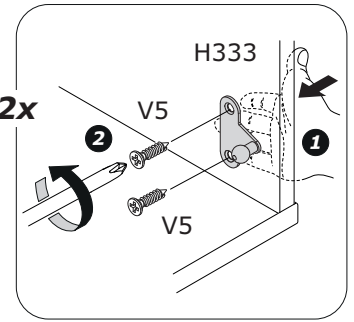
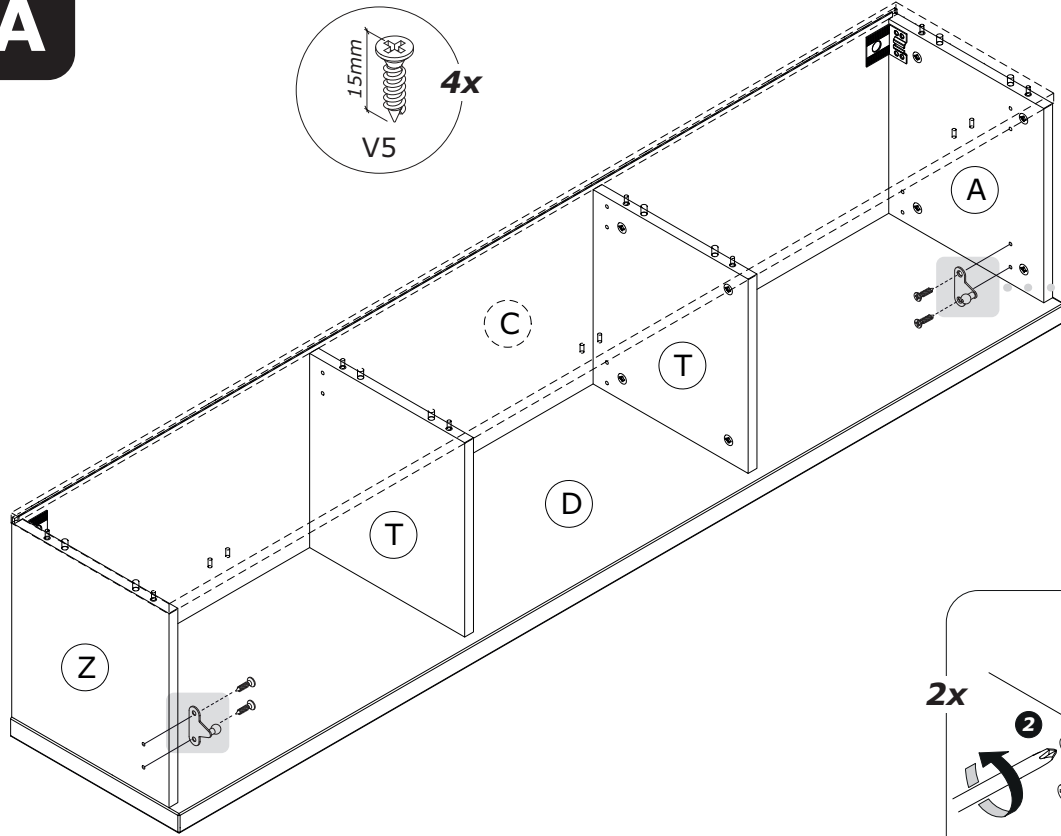
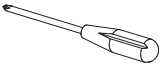
13

A



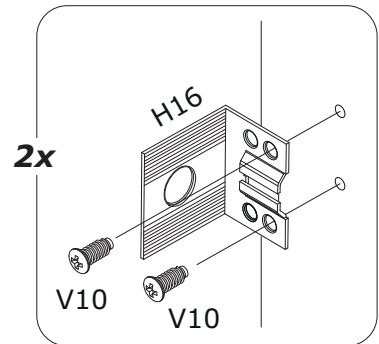
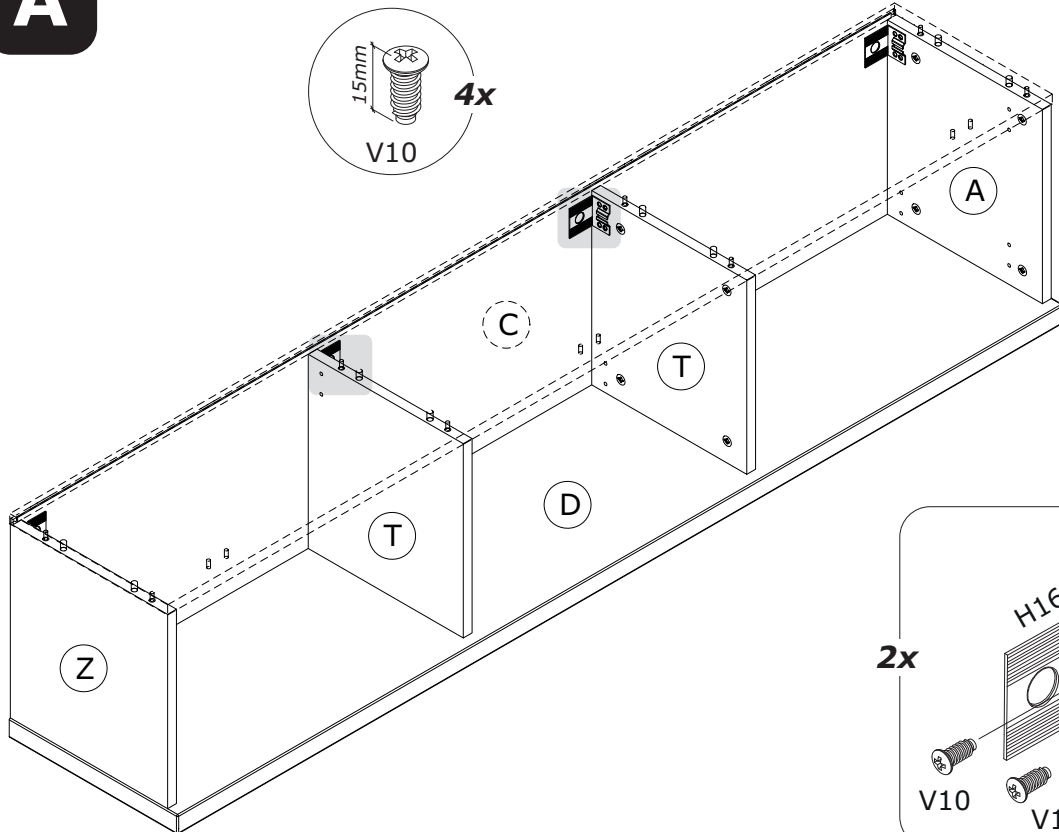
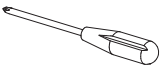
14

A



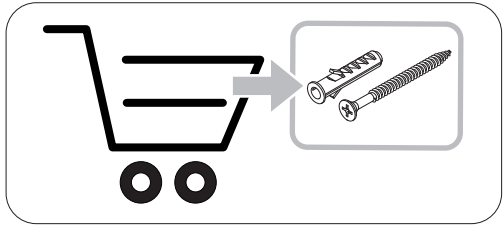
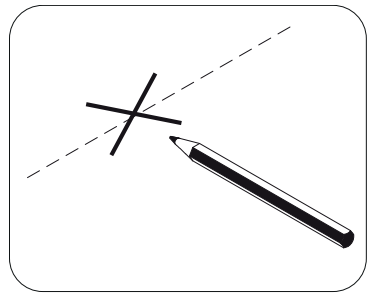
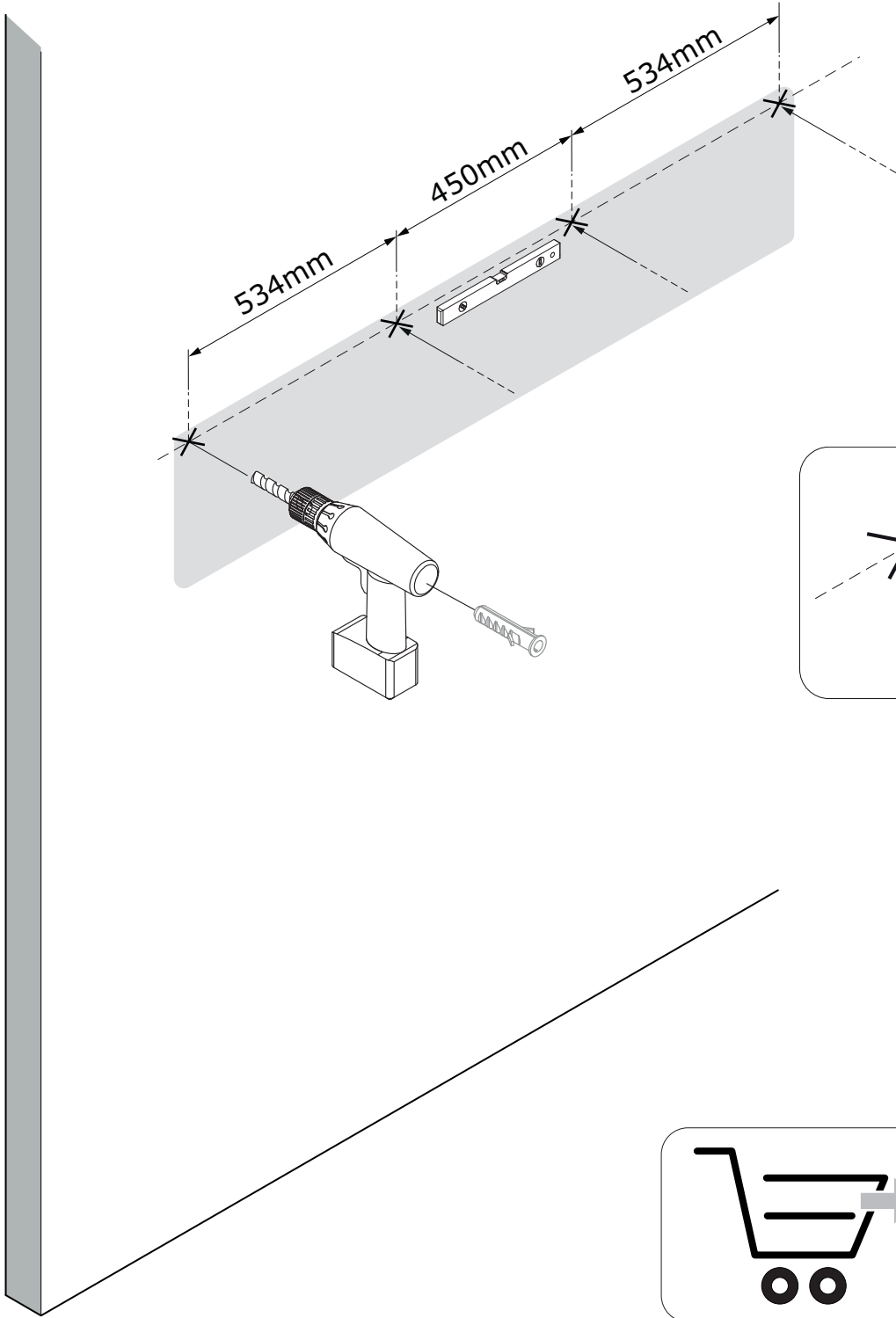
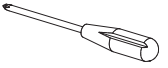
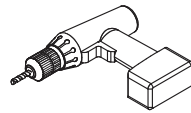
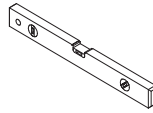
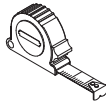
15

A

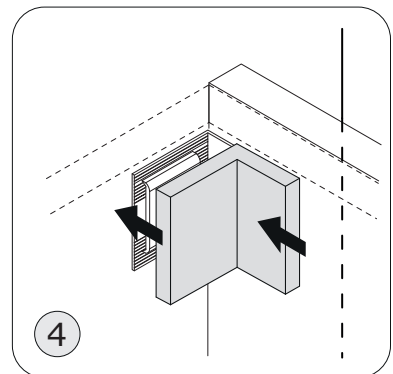
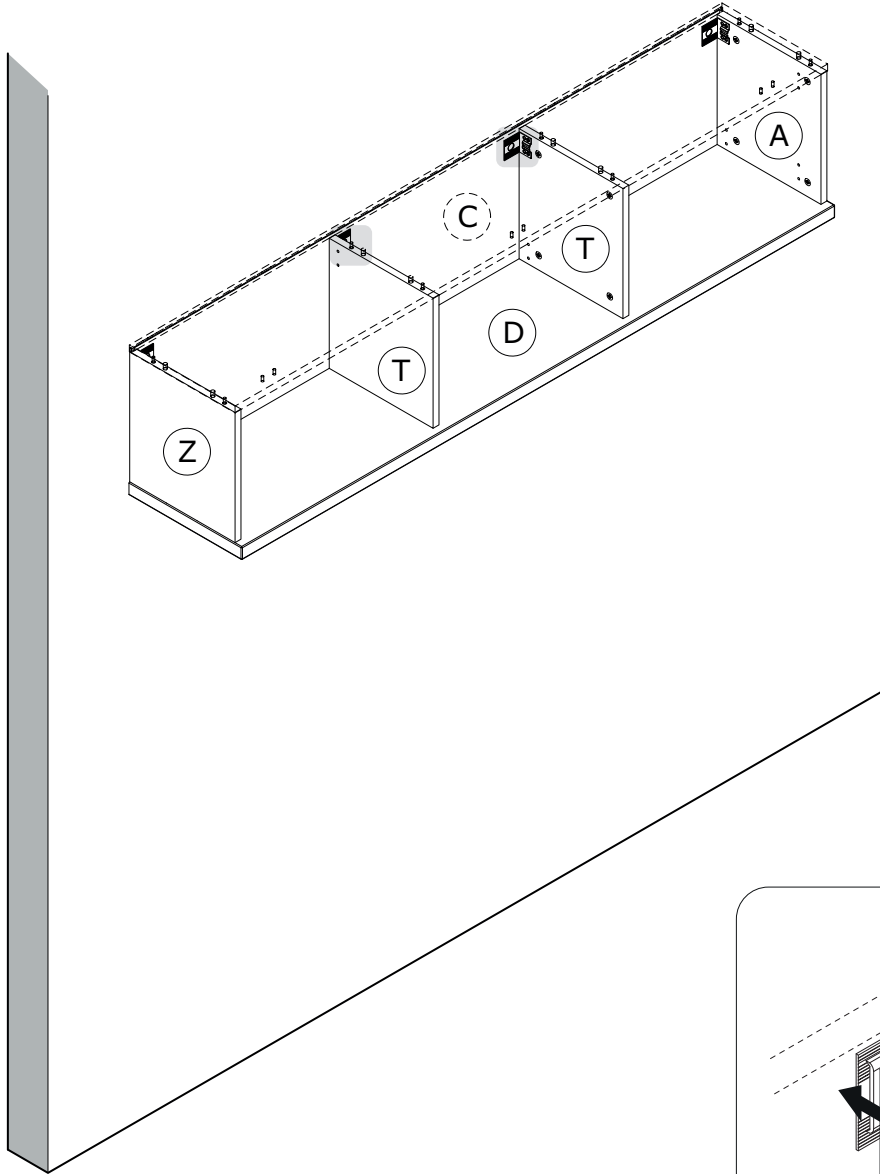
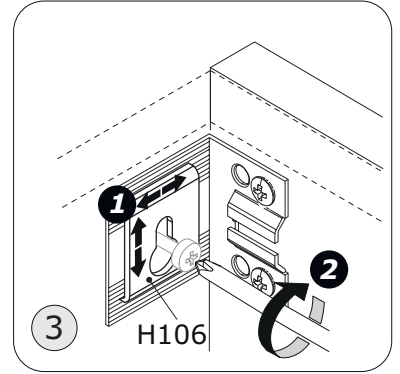
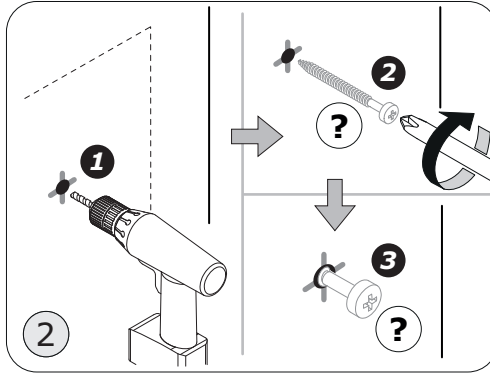
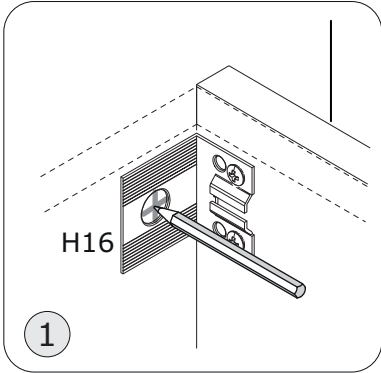
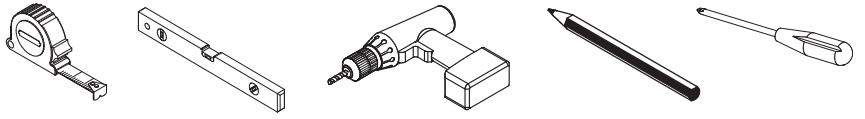


16

A

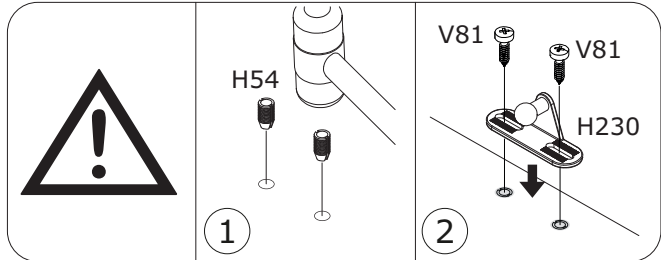
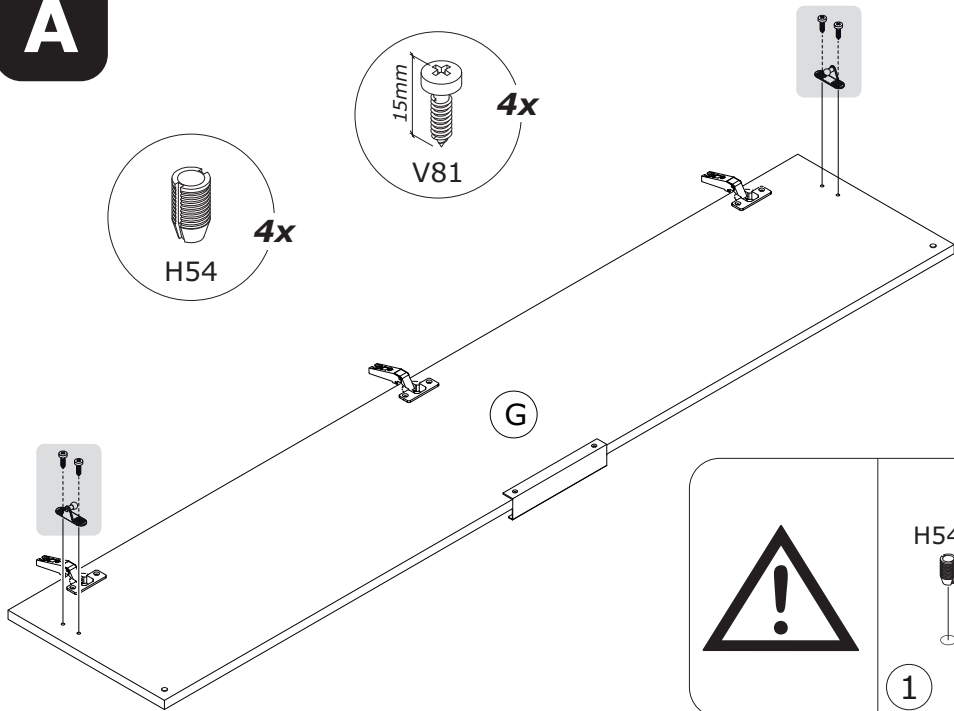
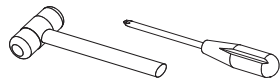


A



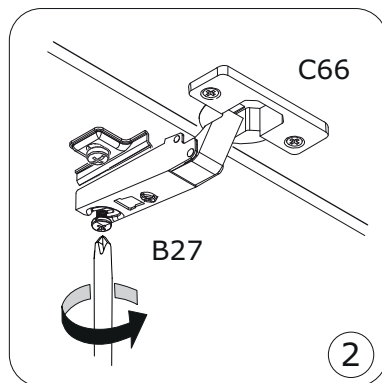
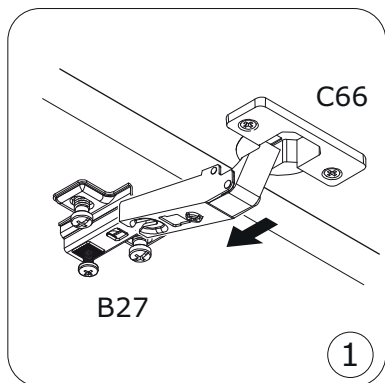
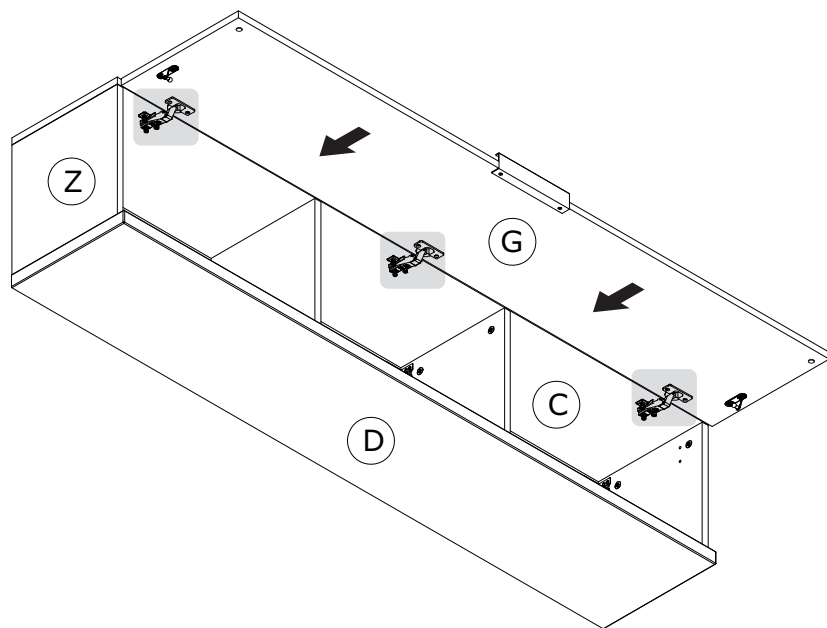
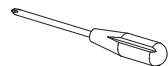
18

A

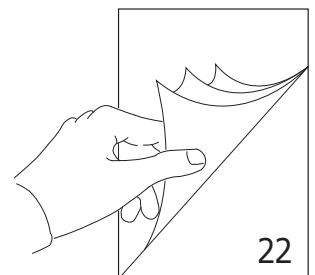
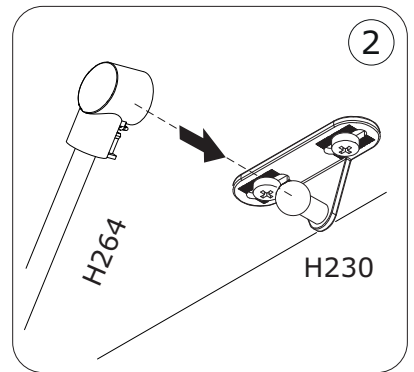
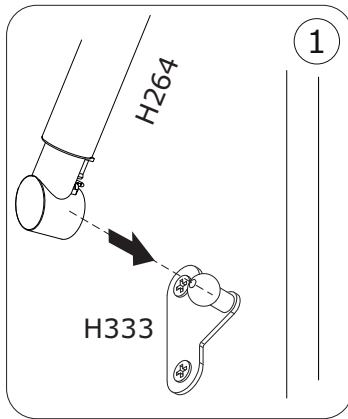
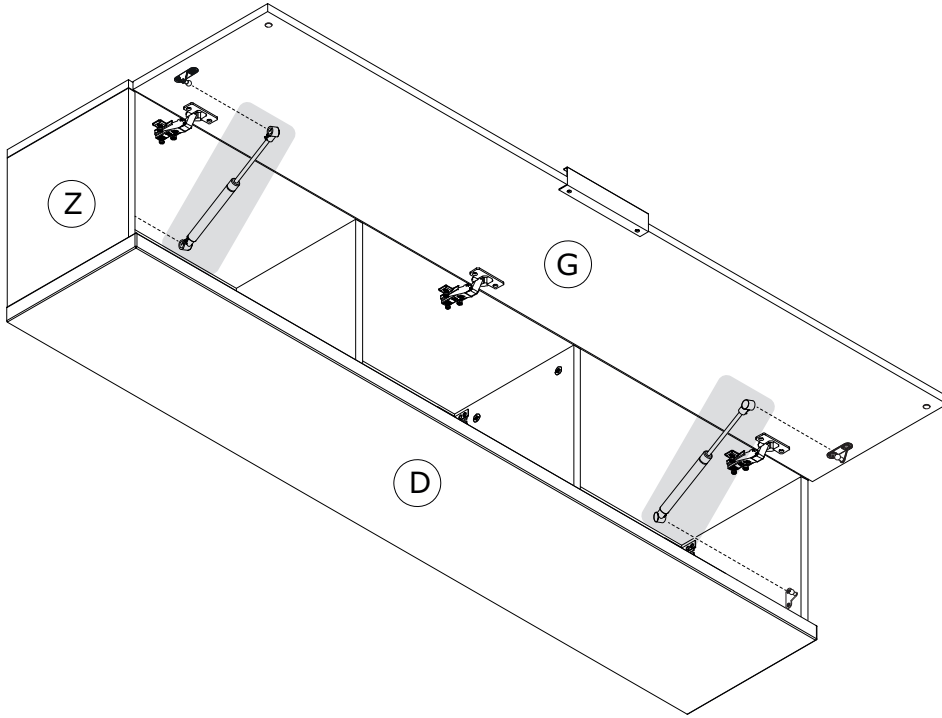


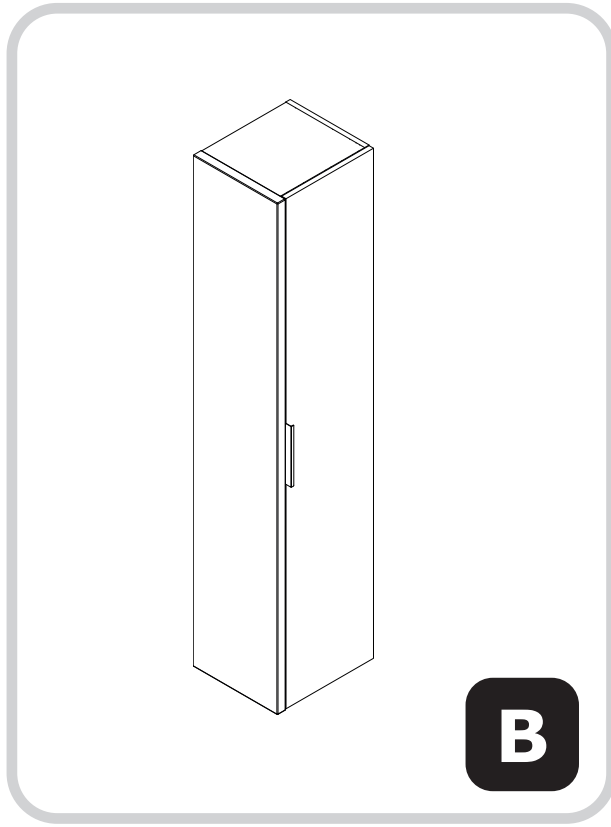
19

A



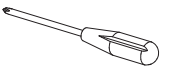




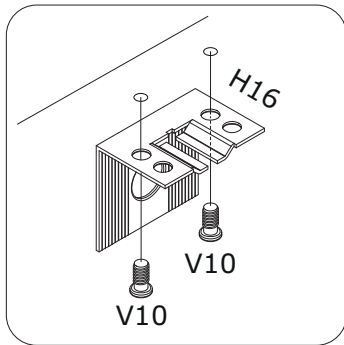


**21**

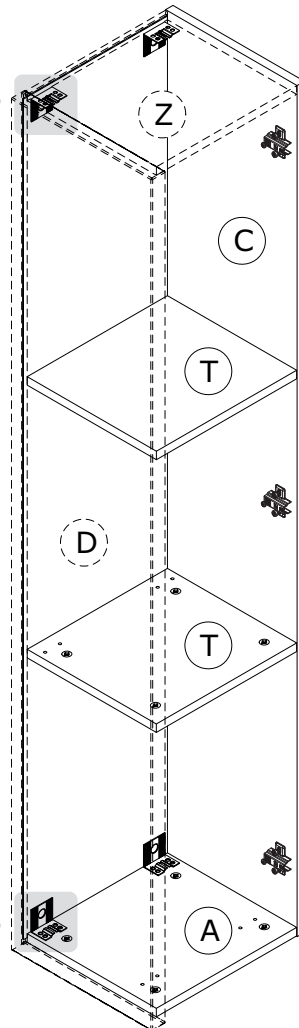
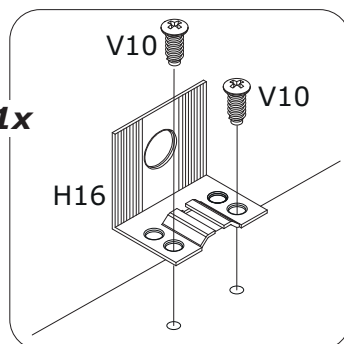
**B**



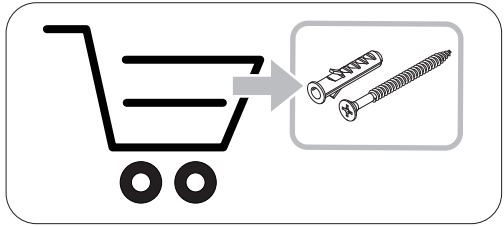
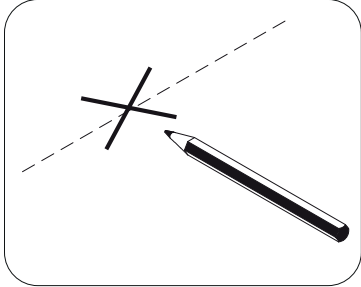
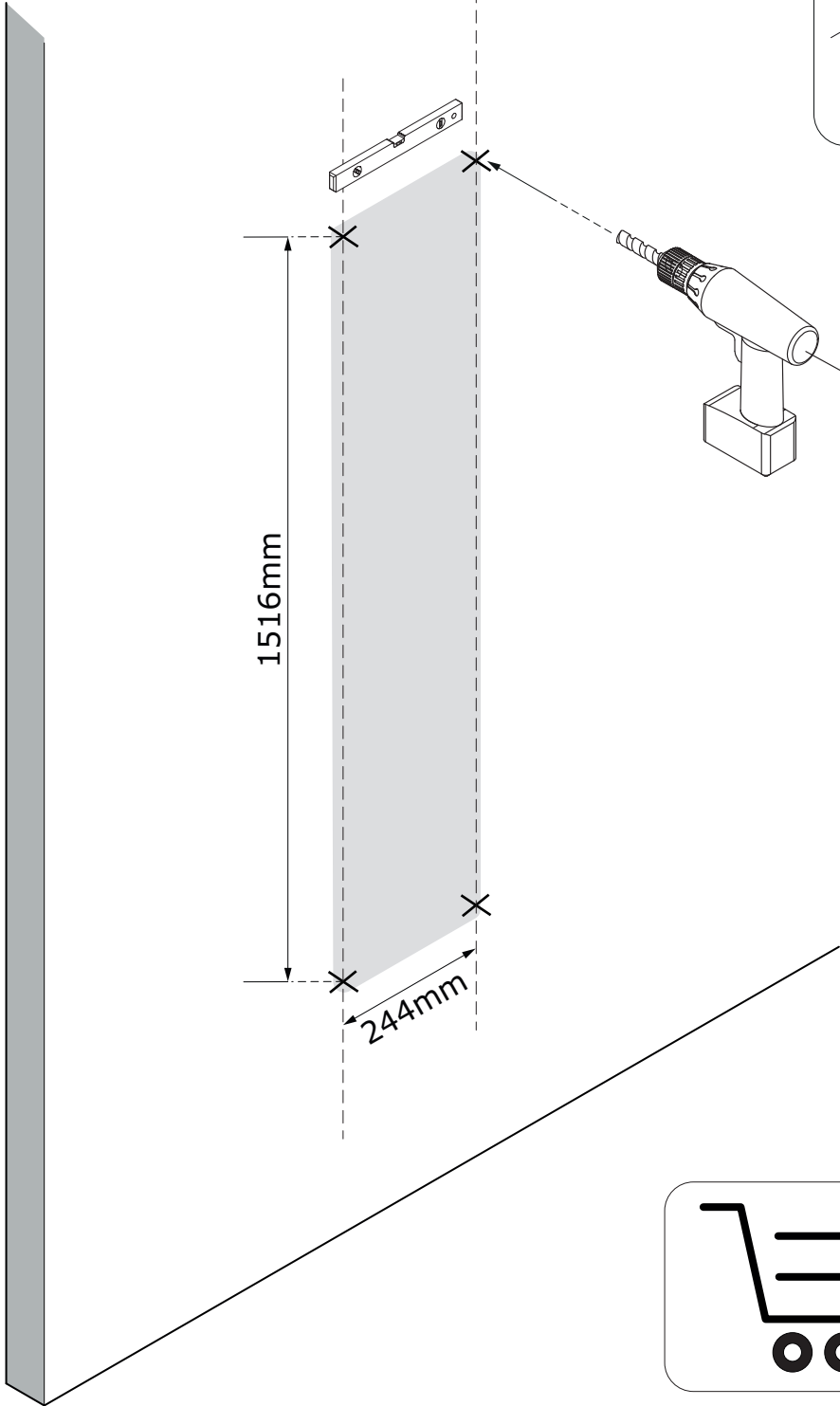
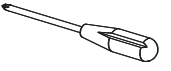
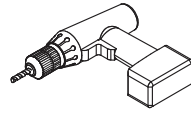
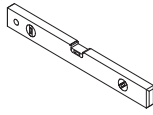
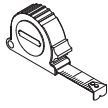
**1x**



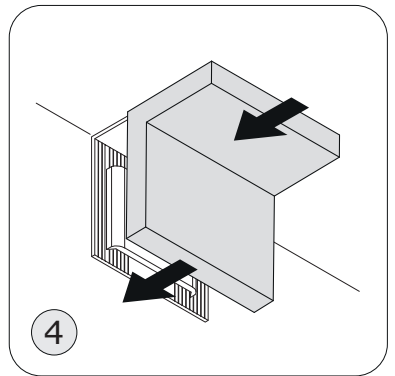
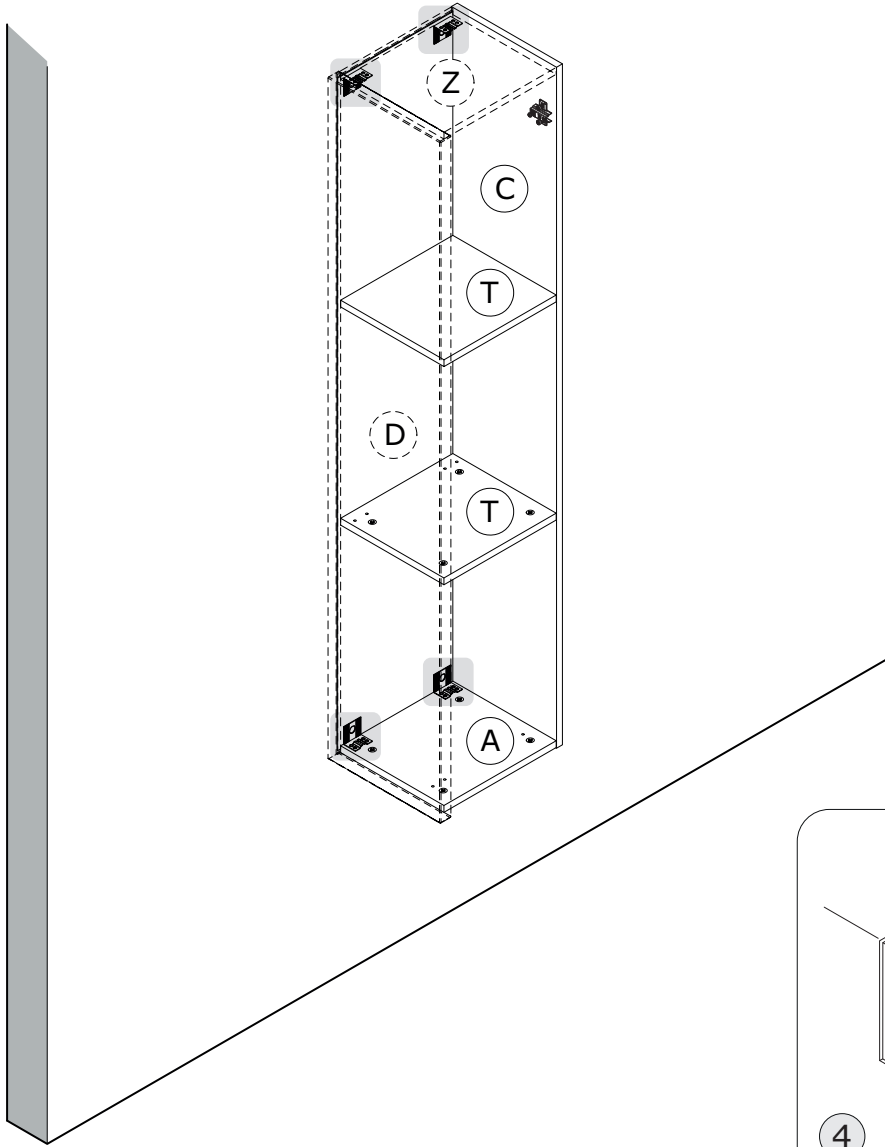
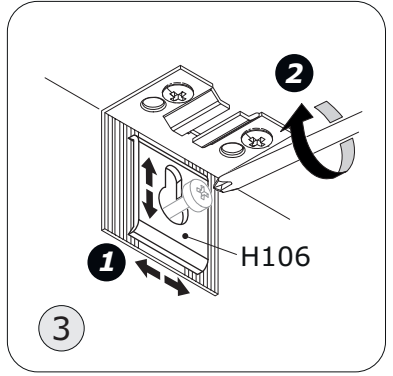
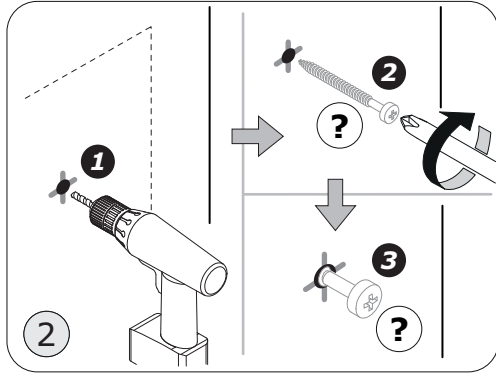
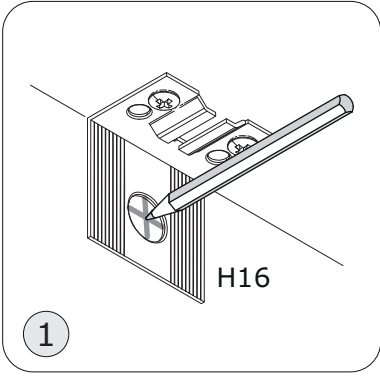
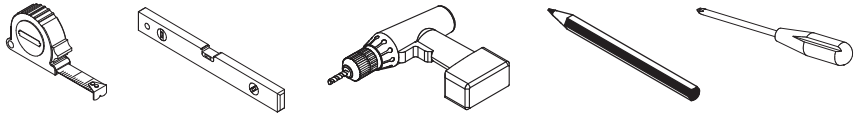
**1x**



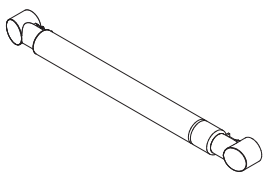
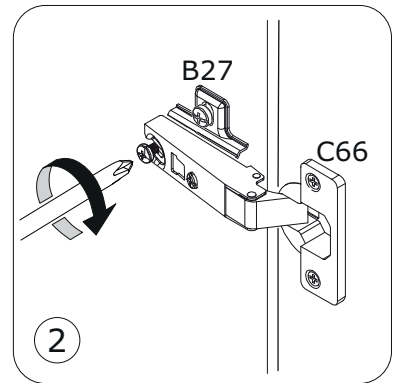
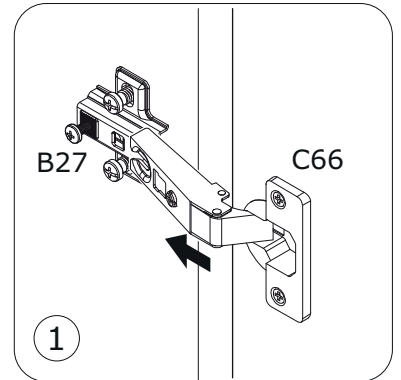
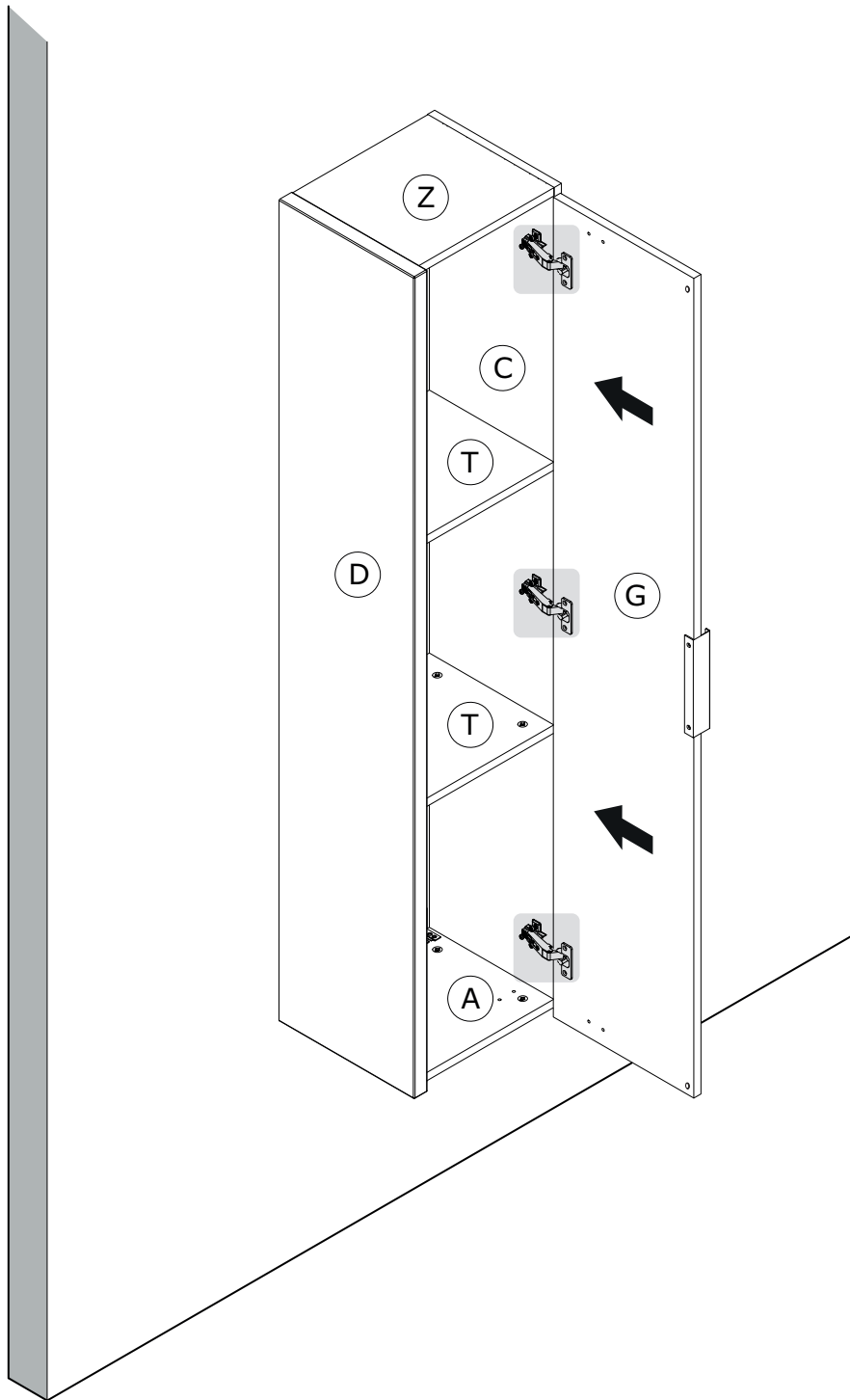
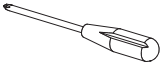
B



B



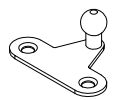
**B**



**H264** x 2



**H230** x 2



**H333** x 2



**H54** x 8



**A** **B**

