

THUMP 212

THUMP 215



THUMP212 • THUMP215

1400W Powered Loudspeaker Series

The new Thump Loudspeakers are the next evolution of the incredibly popular series, packed with more power, capability, and bang-for-the-buck than ever before.

Completely redesigned from the ground up, Thump features heavy-duty drivers, 1400W amplifiers, and powerful tools to make your next gig easier than ever.

Now equipped with a Feedback Eliminator plus a Music Ducking mode, Thump keeps the show running smooth when it counts.

Add in ultra-versatile I/O, legendary Thump sound quality, and easy portability, Thump is going to be your new favorite loudspeaker.

APPLICATIONS:

Singer-songwriters, announcement PA, karaoke, clubs / cafés, houses of worship, schools, small restaurants, outdoor events / barbecues, banquet halls, conference rooms, boardrooms, and many, many more.

FEATURES:

- 1400W ultra-efficient Class-D amplifier
- Built-Like-A-Tank™ to conquer every gig while lightweight for easy loading
- Frequency response: 47 Hz – 23 kHz [Thump212]
- Frequency response: 40 Hz – 20 kHz [Thump215]
- Max SPL: 128 dB [Thump212]
- Max SPL: 129 dB [Thump215]
- Flexible I/O
 - Ch.1 features an XLR/TRS input that accepts mic or line signals
 - Ch.2 features an XLR/TRS line input plus stereo 1/8" input
 - Thru output contains audio from both input channels
- 12" high-performance woofer [Thump212]
- 15" high-performance woofer [Thump215]
- 1" compression driver
- Built-in Feedback Eliminator reduces squeals and out of control rumble
- Music Ducking mode automatically reduces the level of Ch. 2 when Ch. 1 receives signal
- Universal Power Supply (100-240VAC)
- Standard pole mount
- Monitor wedge provides optimal angle for use as a floor monitor
- Weight
 - 27.6 lb / 12.5 kg [Thump212]
 - 32.6 lb / 14.8 kg [Thump215]
- Dimensions:
 - 24.4 x 14.0 x 14.0 in / 620 x 356 x 356 mm [Thump212]
 - 27.4 x 17.3 x 14.0 in / 696 x 439 x 356 mm [Thump215]

THUMP 2022 SERIES SPECIFICATIONS

Acoustic Performance

Frequency Response (-10 dB)	47 Hz – 23 kHz [Thump212]
	40 Hz – 23 kHz [Thump215]
Frequency Response (-3 dB)	54 Hz – 20 kHz [Thump212]
	47 Hz – 20 kHz [Thump215]
Horizontal Coverage	90°
Vertical Coverage	60°
Maximum SPL Peak	128 dB [Thump212]
	129 dB [Thump215]
Monitor Angle	40°

Transducers

Low Frequency	12 in / 305 mm [Thump212]
	15 in / 381 mm [Thump215]
	with ferrite
High Frequency	1.0 in / 25 mm polymer compression driver

Power Amplifiers

System Power Amplification	
Rated Power	1400 watts peak
Low Frequency Power Amplifier	
Rated Power	1200 watts peak
Rated THD	<1%
Cooling Design	Convection Class D
High Frequency Power Amplifier	
Rated Power	200 watts peak
Rated THD	<1%
Cooling Design	Convection Class D

Input / Output

Input Type	2x Female XLR – 1/4" Balanced TRS combo jack
Mic/Line Impedance	10 kΩ Balanced
1/8" Line Impedance	10 kΩ Balanced
Thru Out	Male XLR Balanced
Thru Out Impedance	300 Ω Balanced

Electronic Crossover

Crossover Frequency	2.1 kHz
---------------------	---------

Line Input Power

Detachable line cord	100-240V~, 50-60 Hz, 75W
AC Connector	3-pin IEC 250 VAC, 10 A male
Power Supply Type	Switchmode

Safety Features

Input Protection	Peak and RMS limiting, power supply and amplifier thermal protection
Feedback Eliminator	On / Off
Display LED	Rear panel signal / overload

Mounting Methods:

Floor mount, pole mount via the built-in socket on the bottom of the cabinet [Be sure the pole is capable of supporting the weight of the loudspeaker].

There are no rigging points and they are NOT suitable for rigging. Do not suspend a Thump loudspeaker by its handles.

Physical Properties (product)

THUMP212:

Height:	24.4 in / 620 mm
Width:	14.0 in / 356 mm
Depth:	14.0 in / 356 mm
Weight:	27.6 lb / 12.5 kg

THUMP215:

Height:	27.4 in / 696 mm
Width:	17.3 in / 439 mm
Depth:	14.0 in / 356 mm
Weight:	32.6 lb / 14.8 kg

THUMP 2022 SERIES SPECIFICATIONS CONTINUED...

Physical Properties (packaged product)

THUMP212:

Height:	27.2 in / 691 mm
Width:	16.5 in / 419 mm
Depth:	16.5 in / 419 mm
Weight:	33.5 lb / 15.2 kg

THUMP215:

Height:	29.9 in / 759 mm
Width:	19.3 in / 490 mm
Depth:	16.1 in / 409 mm
Weight:	39.2 lb / 17.8 kg

Options

Thump212 Speaker Bag	P/N 2047360-09
Thump212 Rolling Speaker Bag	P/N 2047360-10
Thump215 Speaker Bag	P/N 2047360-11
Thump215 Rolling Speaker Bag	P/N 2047360-12
T100 Loudspeaker Tripod Stand	P/N 2052464
SPM400 Loudspeaker Pole Mount	P/N 2051055

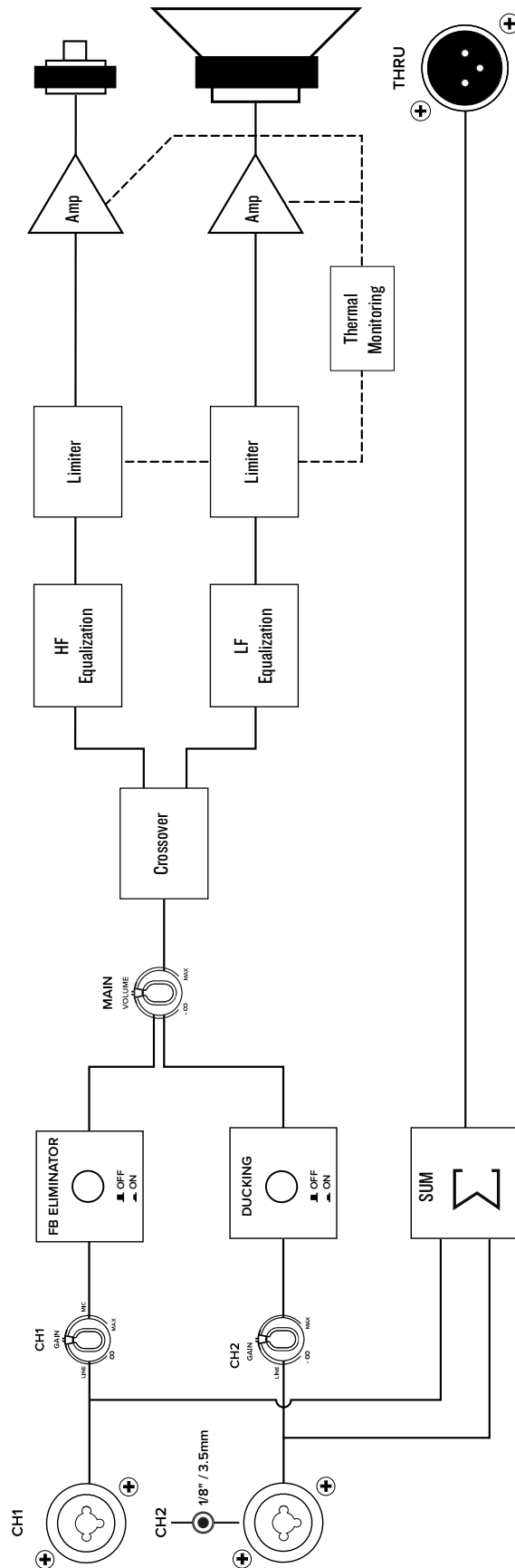
Ordering Information

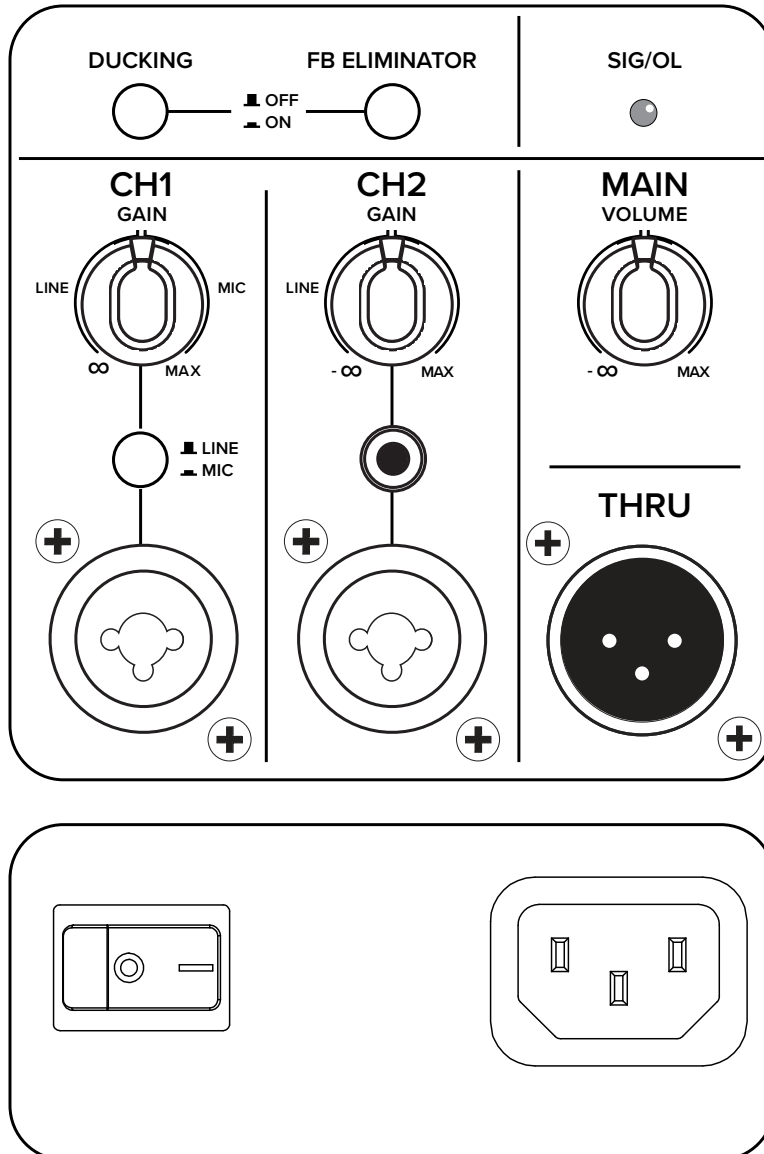
THUMP212 – 12" 1400W Powered Loudspeaker

P/N 2053483-00 (US)
P/N 2053483-01 (EU)
P/N 2053483-03 (UK)
P/N 2053483-04 (AU)
P/N 2053483-05 (CN)
P/N 2053483-06 (BZ -120V)
P/N 2053483-07 (AR)
P/N 2053483-08 (KR)

THUMP215 – 15" 1400W Powered Loudspeaker

P/N 2053502-00 (US)
P/N 2053502-01 (EU)
P/N 2053502-03 (UK)
P/N 2053502-04 (AU)
P/N 2053502-05 (CN)
P/N 2053502-06 (BZ -120V)
P/N 2053502-07 (AR)
P/N 2053502-08 (KR)

THUMP 2022 SERIES BLOCK DIAGRAM


THUMP 2022 SERIES LOUDSPEAKER REAR PANEL


Electronic files for this product are available at:
www.mackie.com

Specification Sheet

THUMP_2022_SS.PDF

Owner's Manual

THUMP_2022_OM.PDF

LOUD Audio, LLC. is always striving to improve our products by incorporating new and improved materials, components, and manufacturing methods. Therefore, we reserve the right to change these specifications at any time without notice.

"Mackie" and the "Running Man" figure are registered trademarks of LOUD Audio, LLC. All other brands mentioned are trademarks or registered trademarks of their respective holders, and are hereby acknowledged.