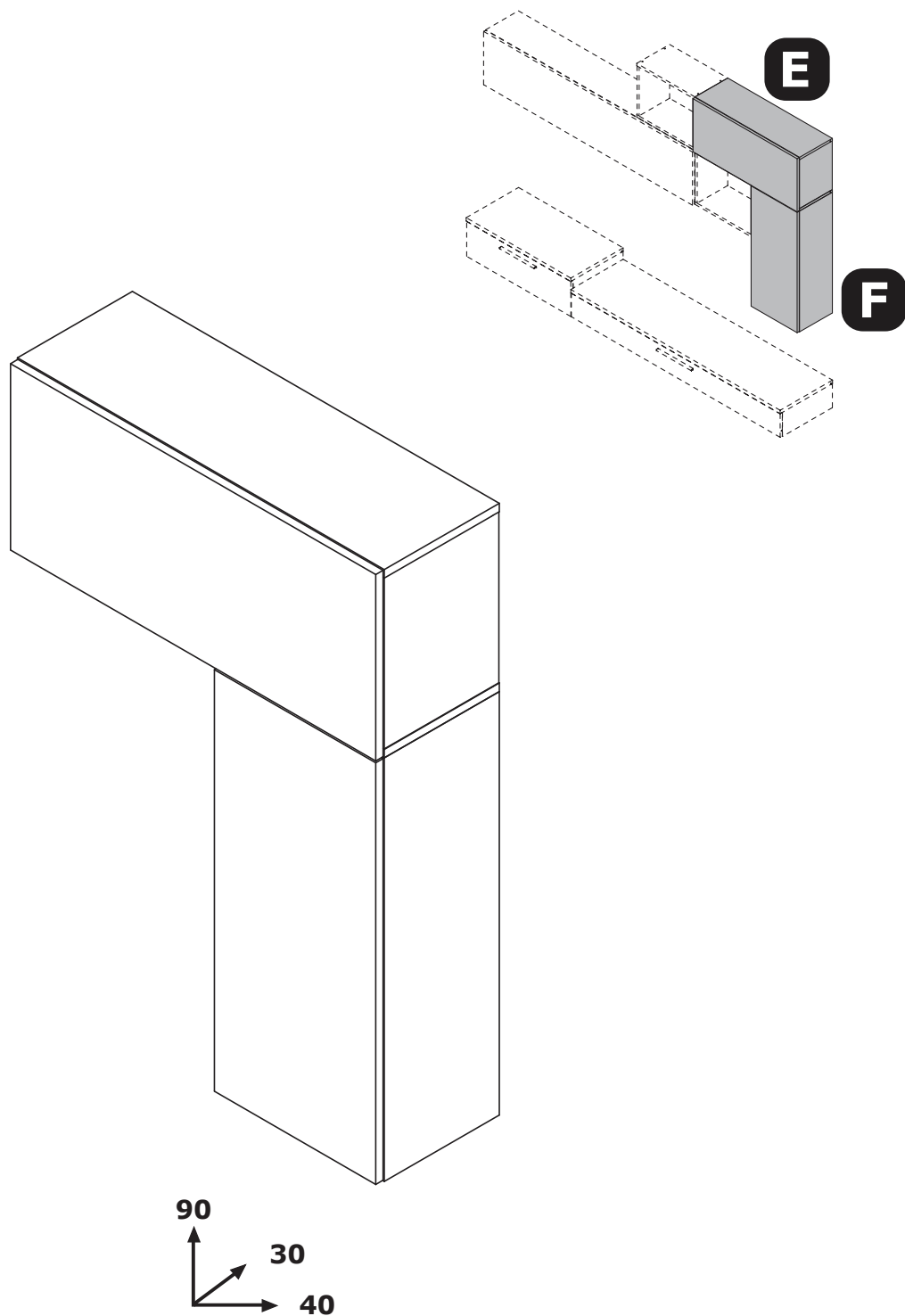
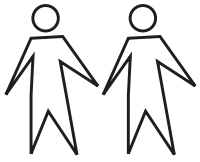


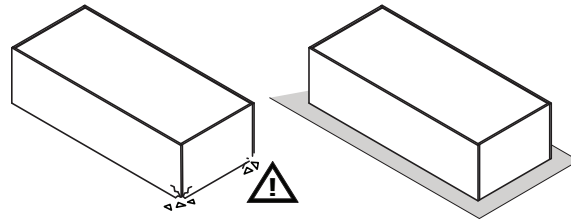
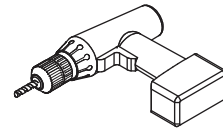
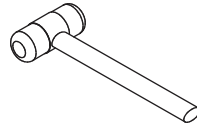
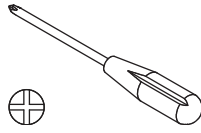
S03319K56104



QF4125

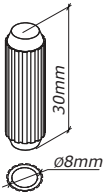


1h



BU3336

BU3337



H1
x20



T28
x20



T99
x20



V5
x28



H2
x28



H15
x3



H54
x4



G65
x4



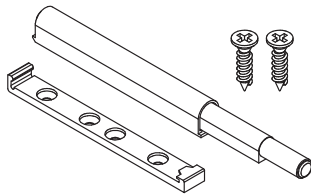
G67
x14



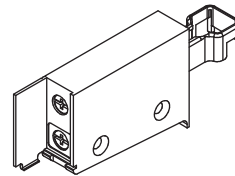
H113
x10



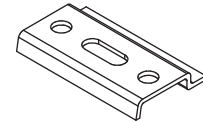
G66
x16



H240
x2T



H143
x1

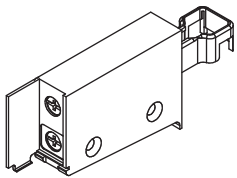


H91
x1

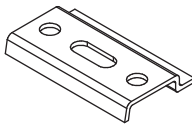


V85
x2

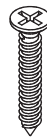
BU2870



H143
x3

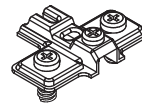


H91
x3

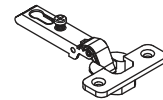


V85
x6

BU0068



B9
xT4

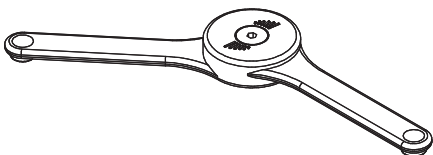


C1
x4

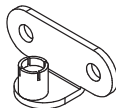


V5
x8

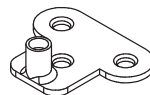
BU2966



H245
x2



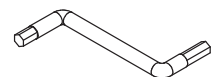
H110
x2



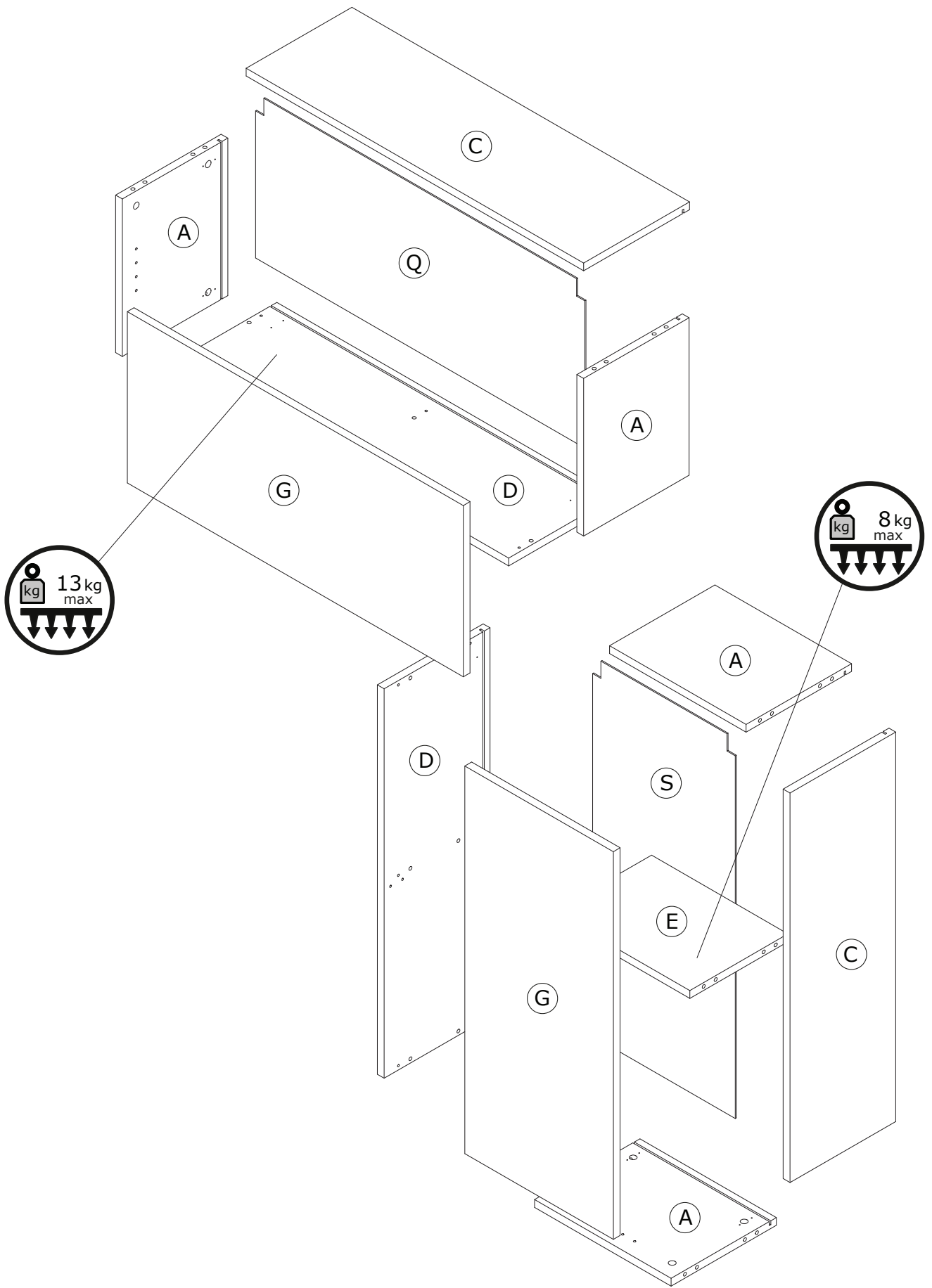
H109
x2

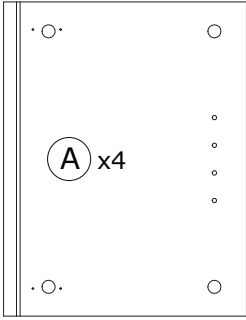


V13
x8

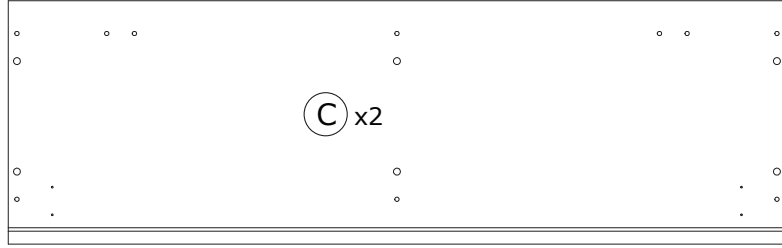


H3
x1

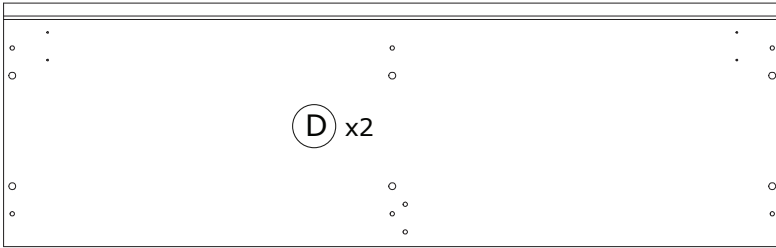




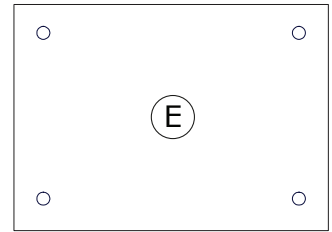
FI7407
364x281x18mm



CA3021
900x282x18mm



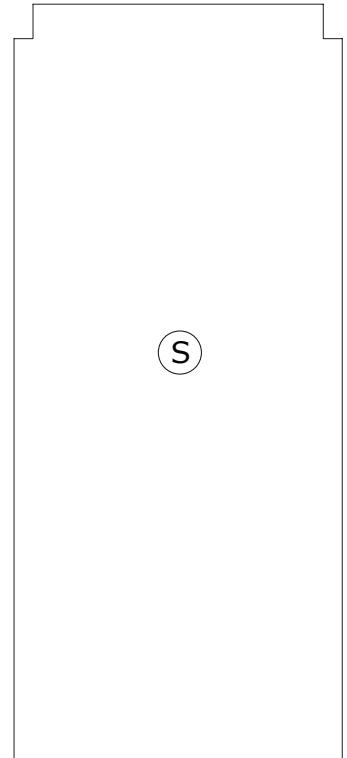
BA1836
900x282x18mm



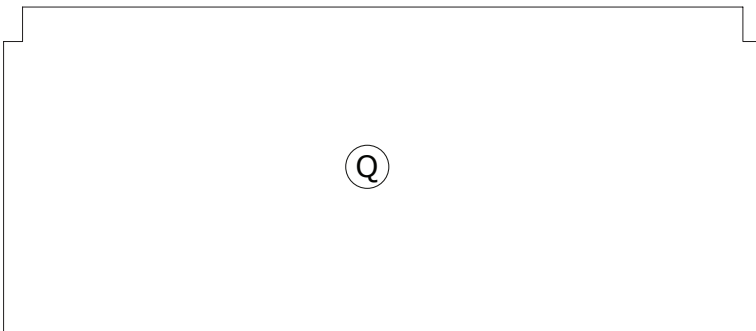
PI6486
364x262x18mm



AN2071
896x396x18mm

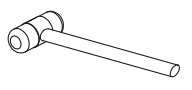
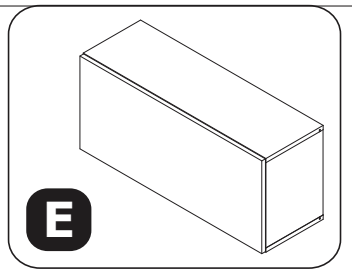
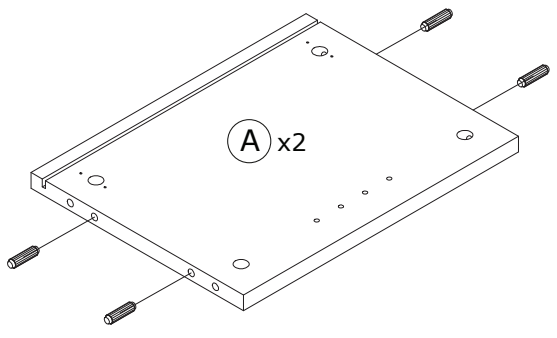
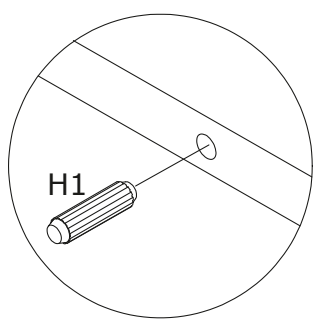


SS0645
878x380x3mm

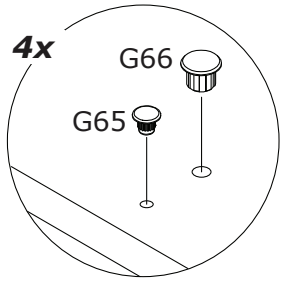
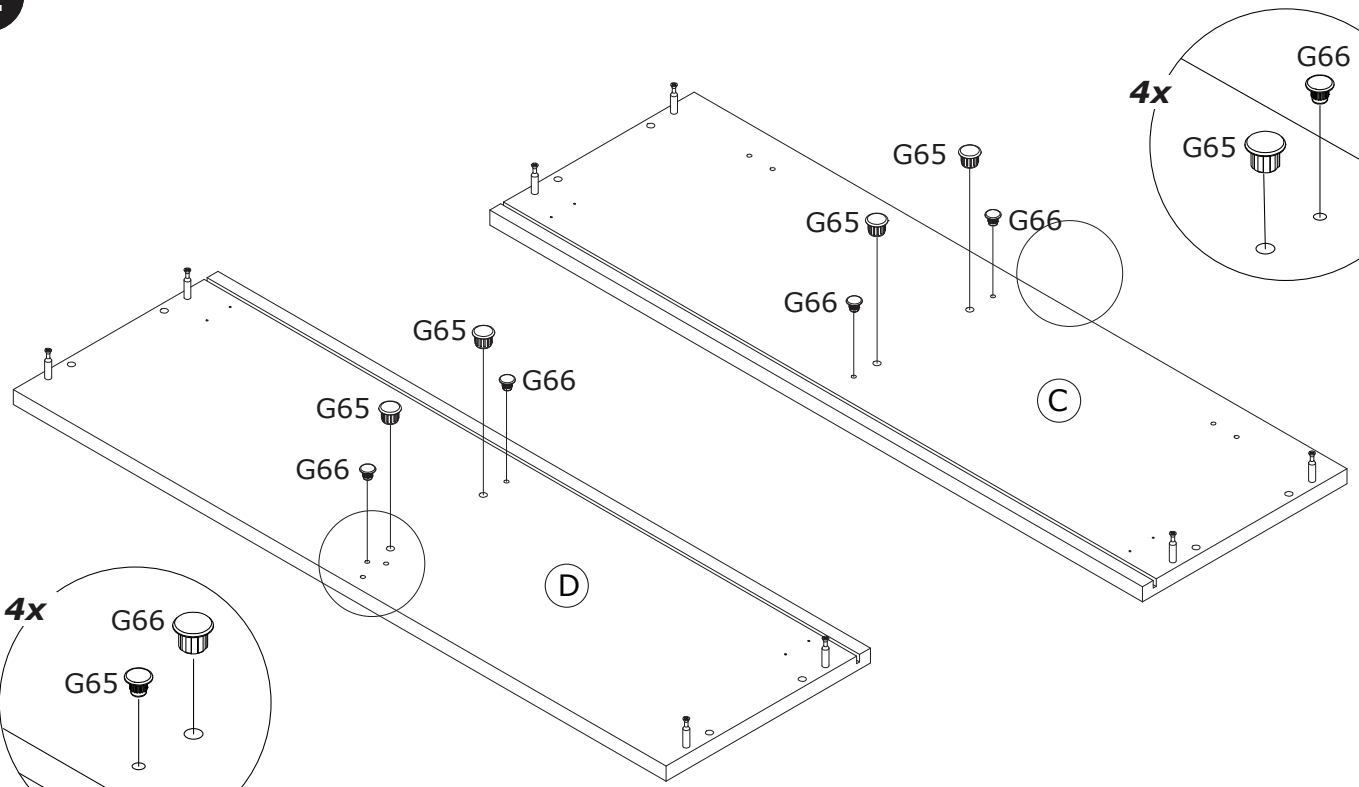


SS0644
878x380x3mm

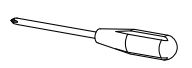
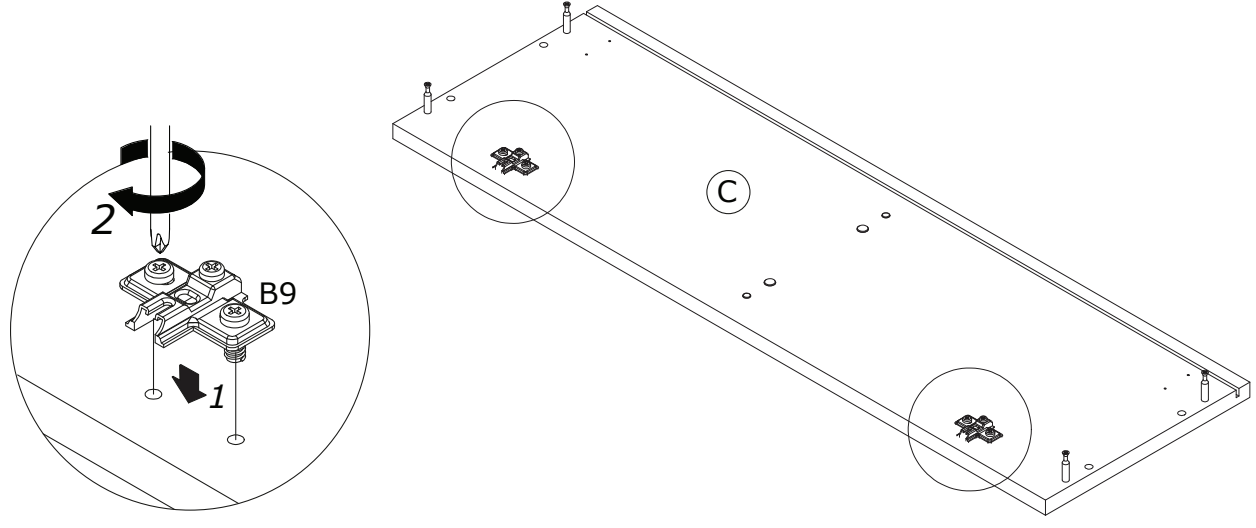
1



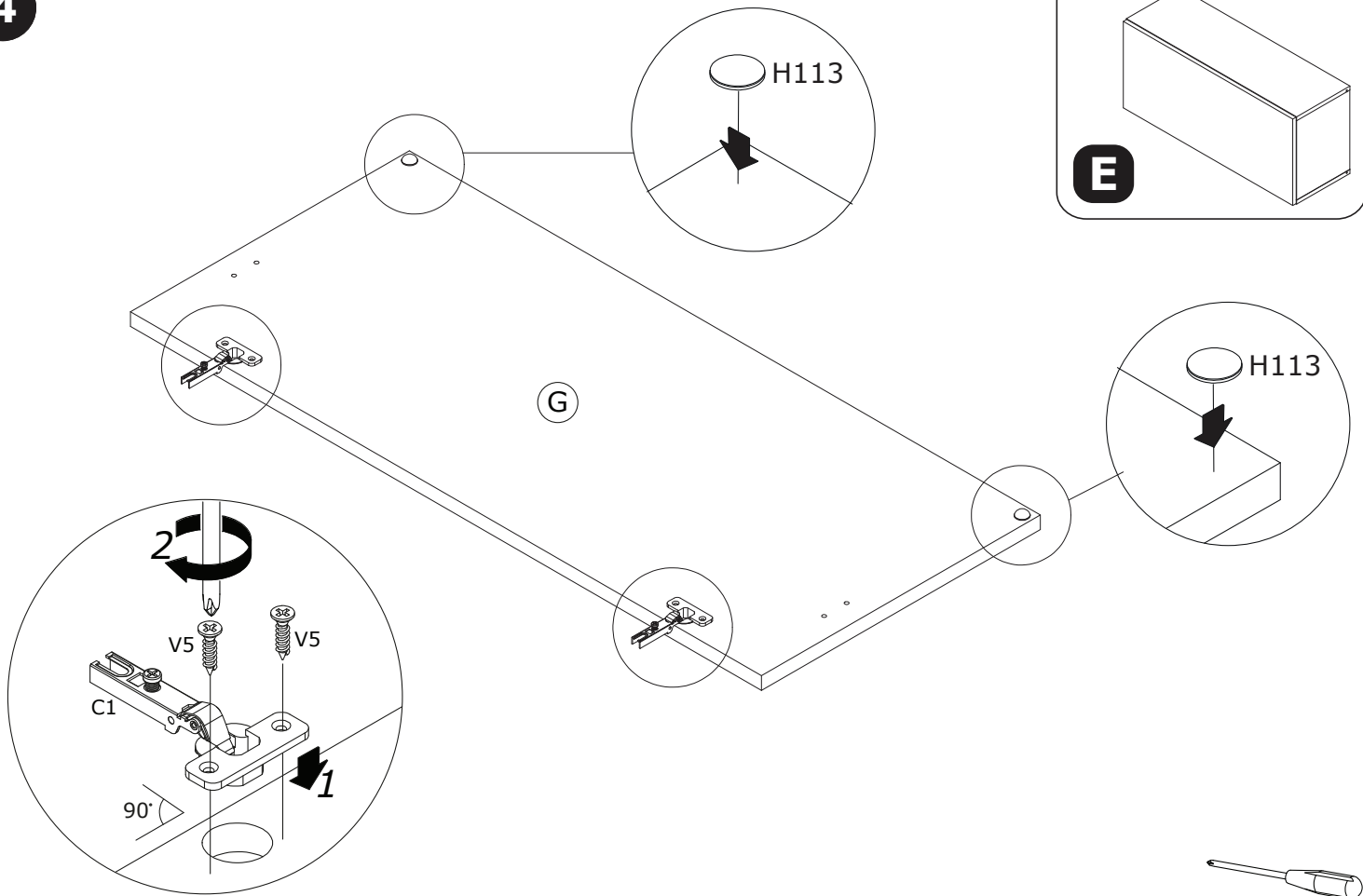
2



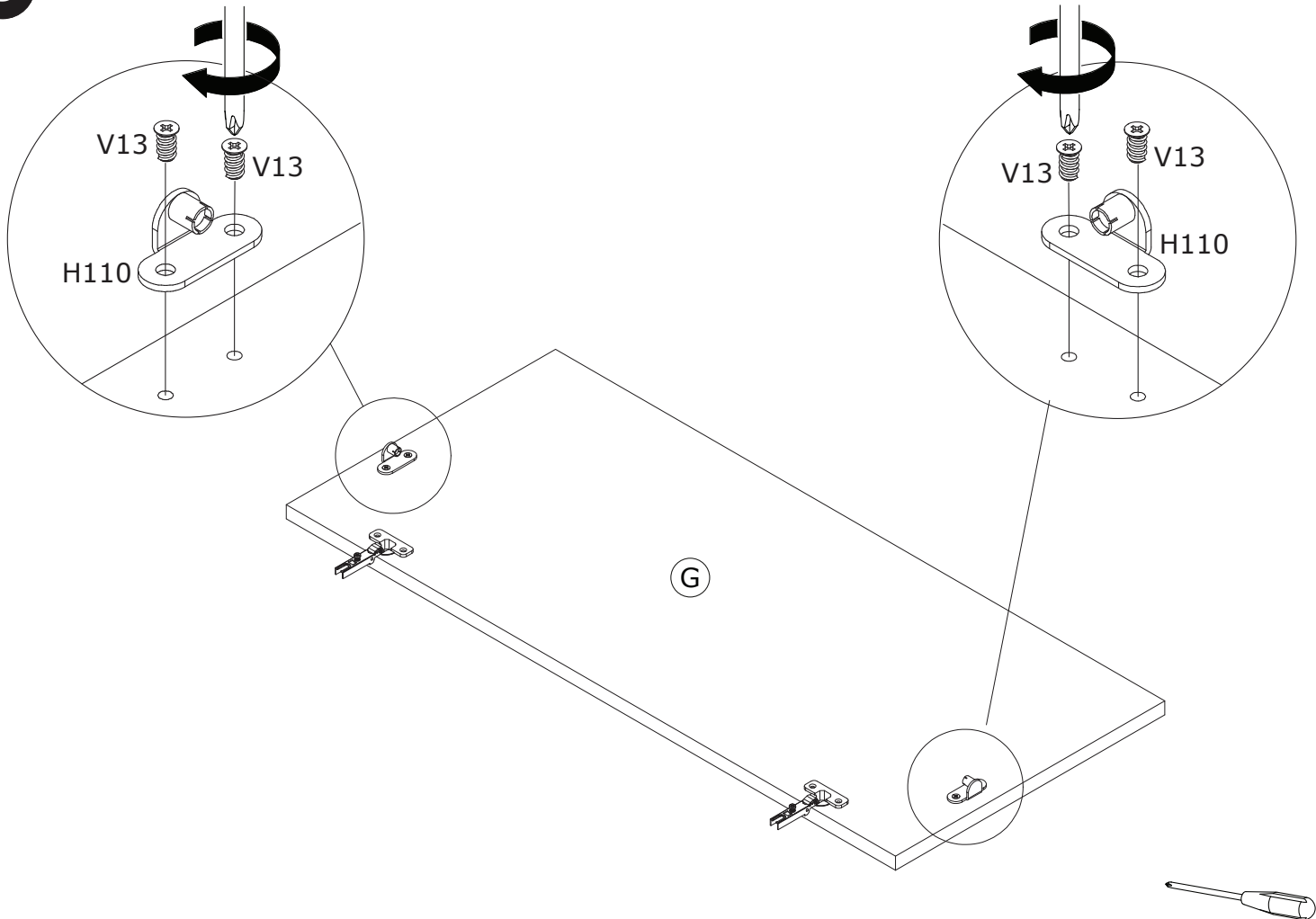
3



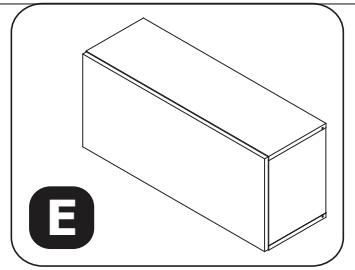
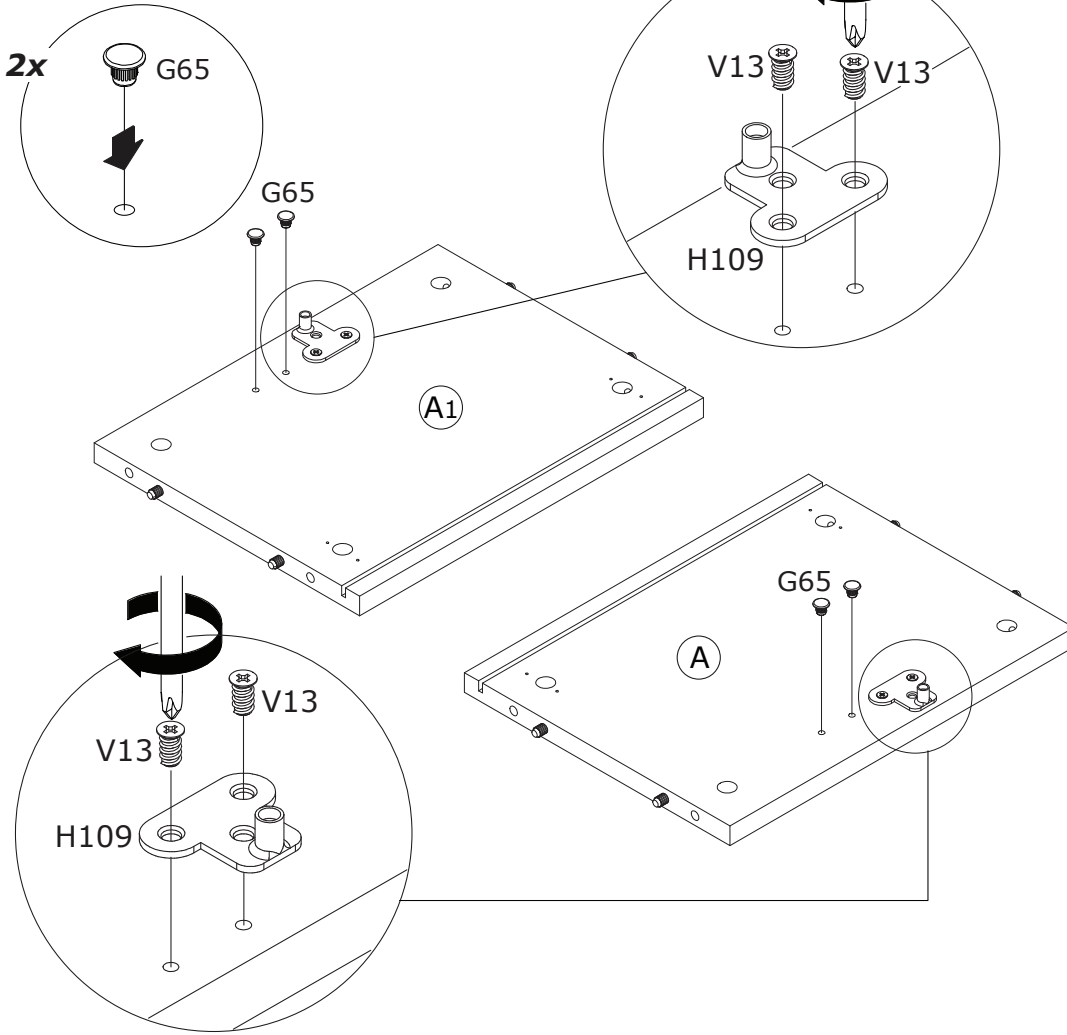
4



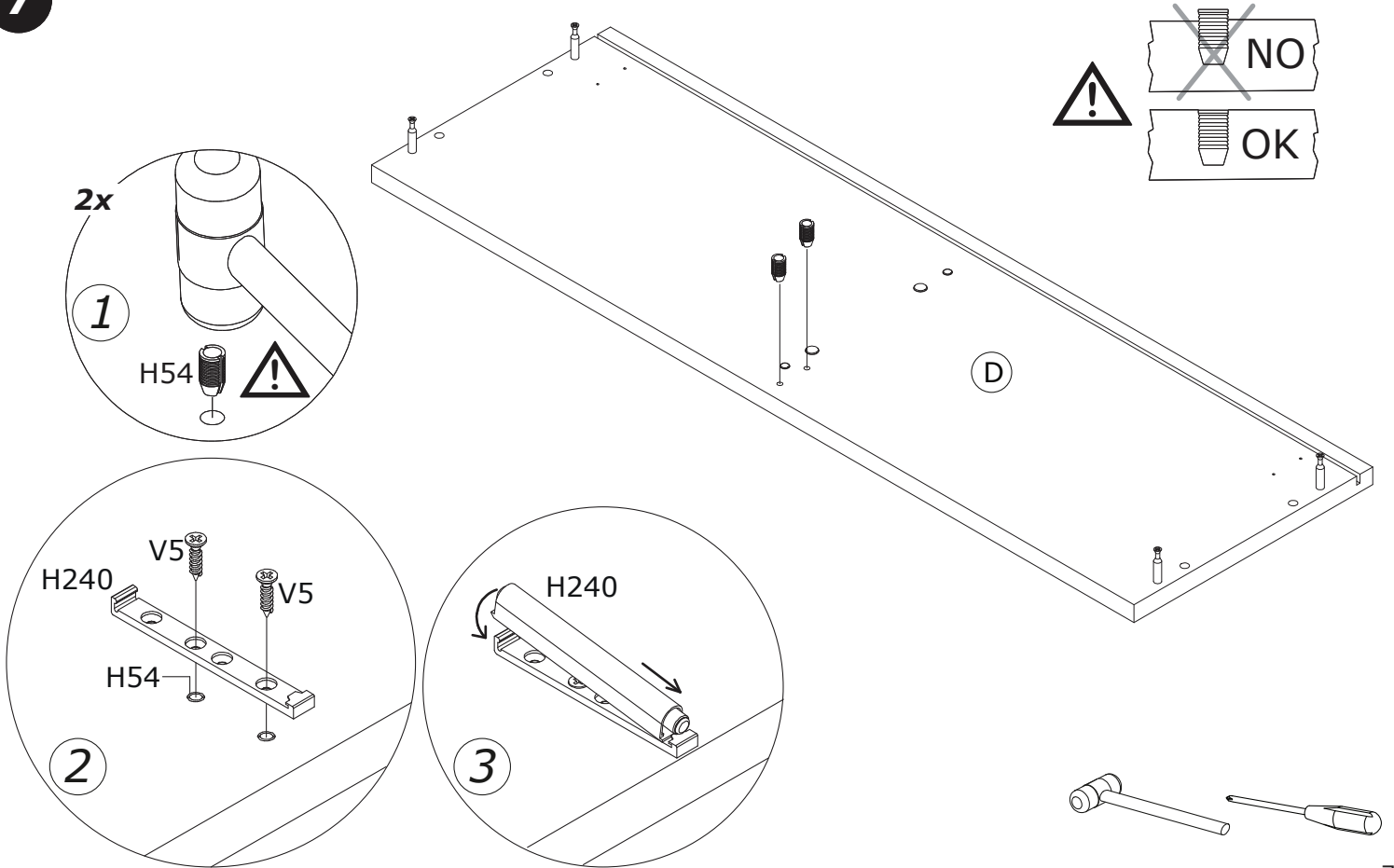
5



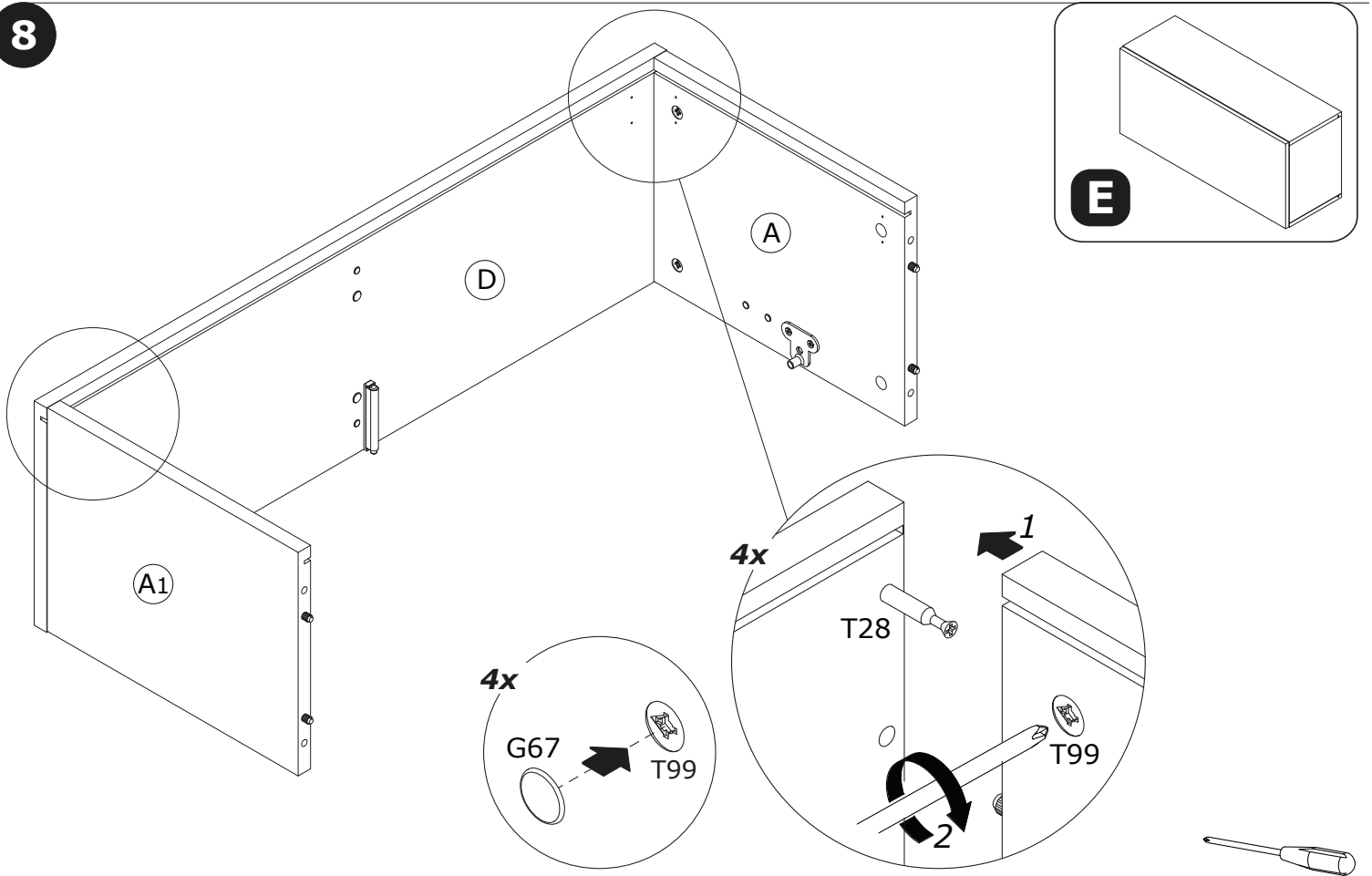
6



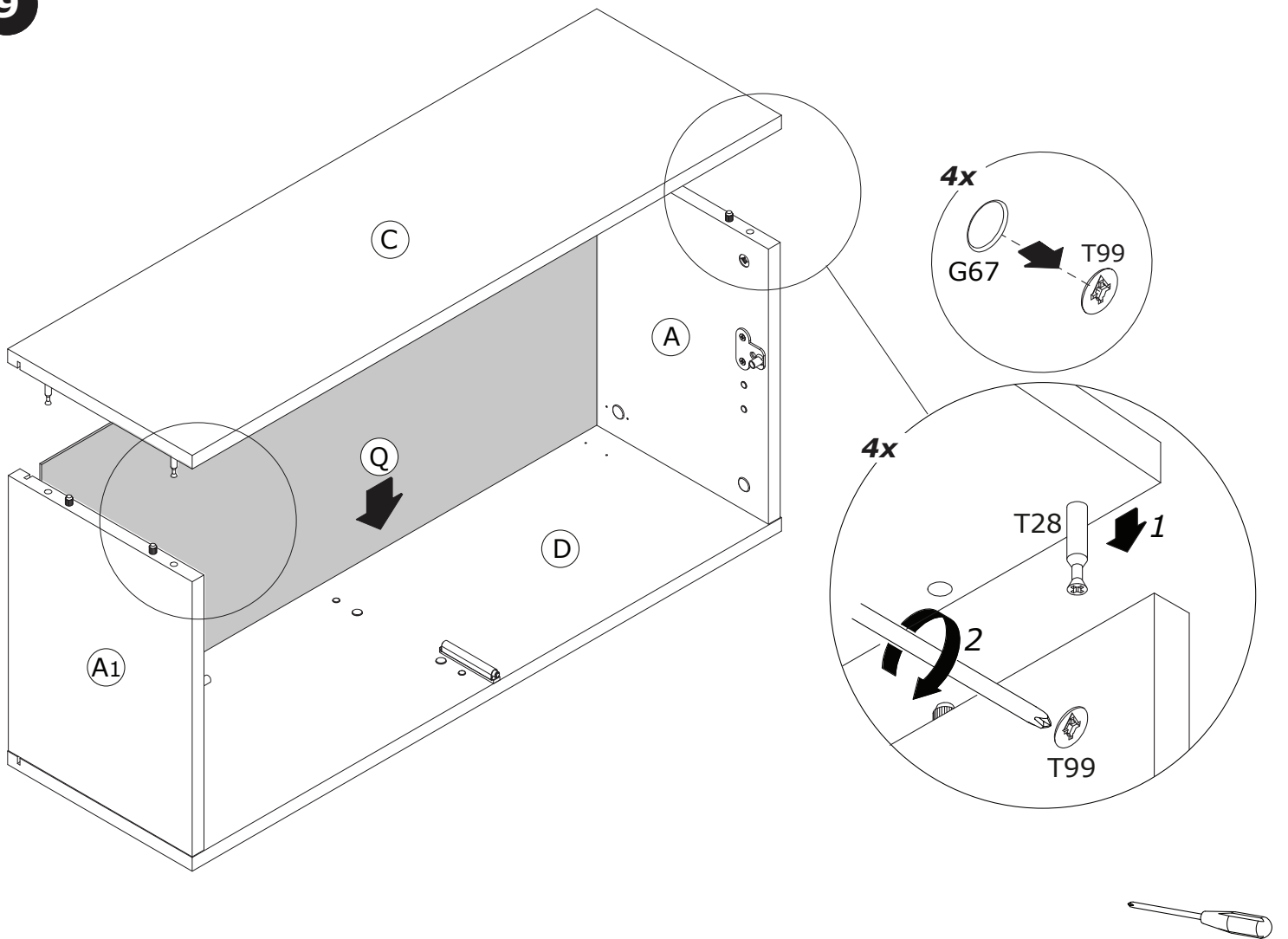
7



8

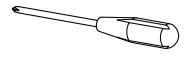
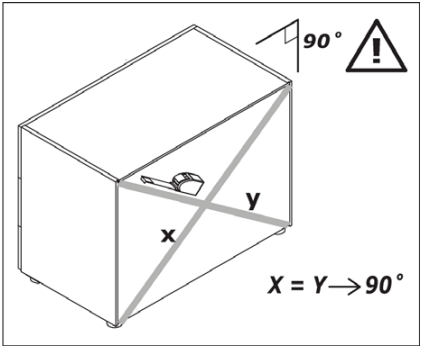
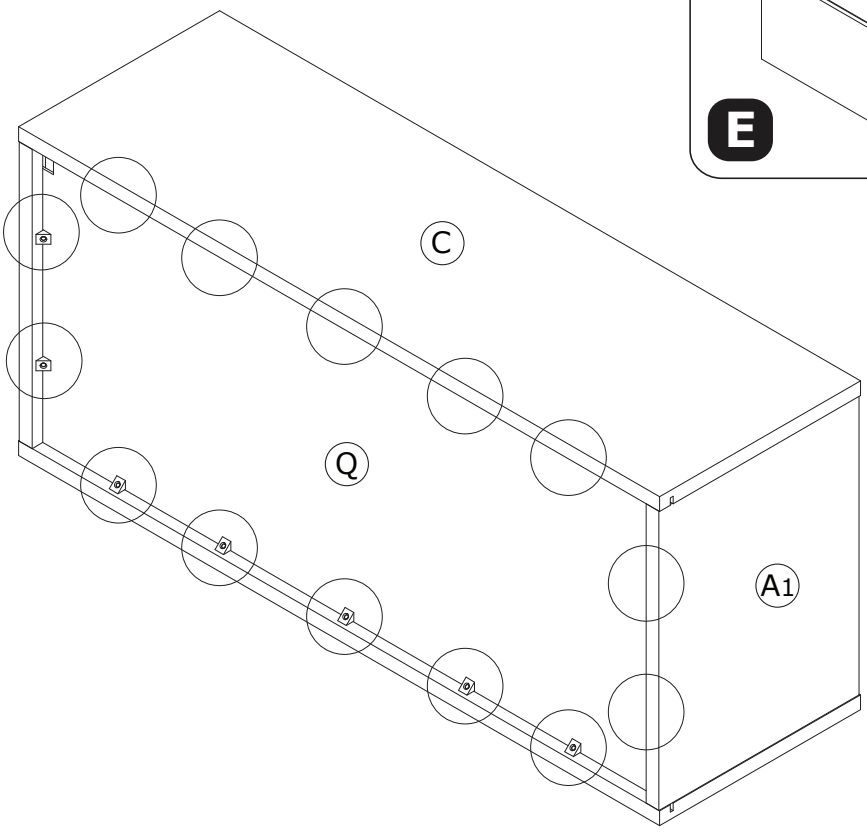
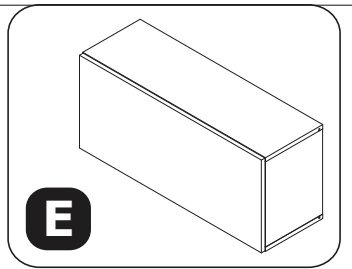
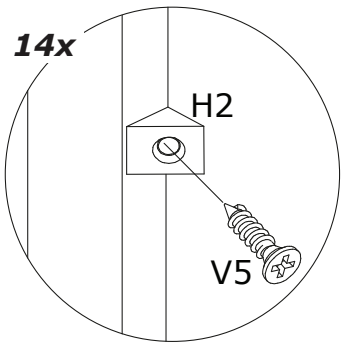


9

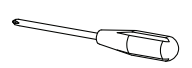
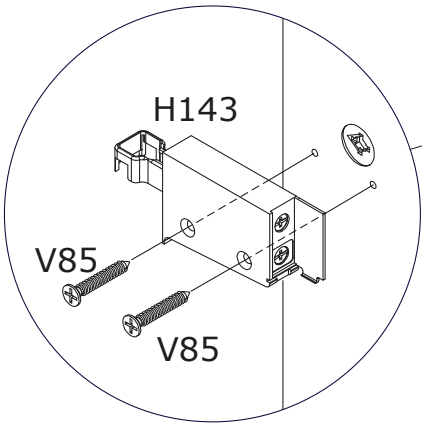
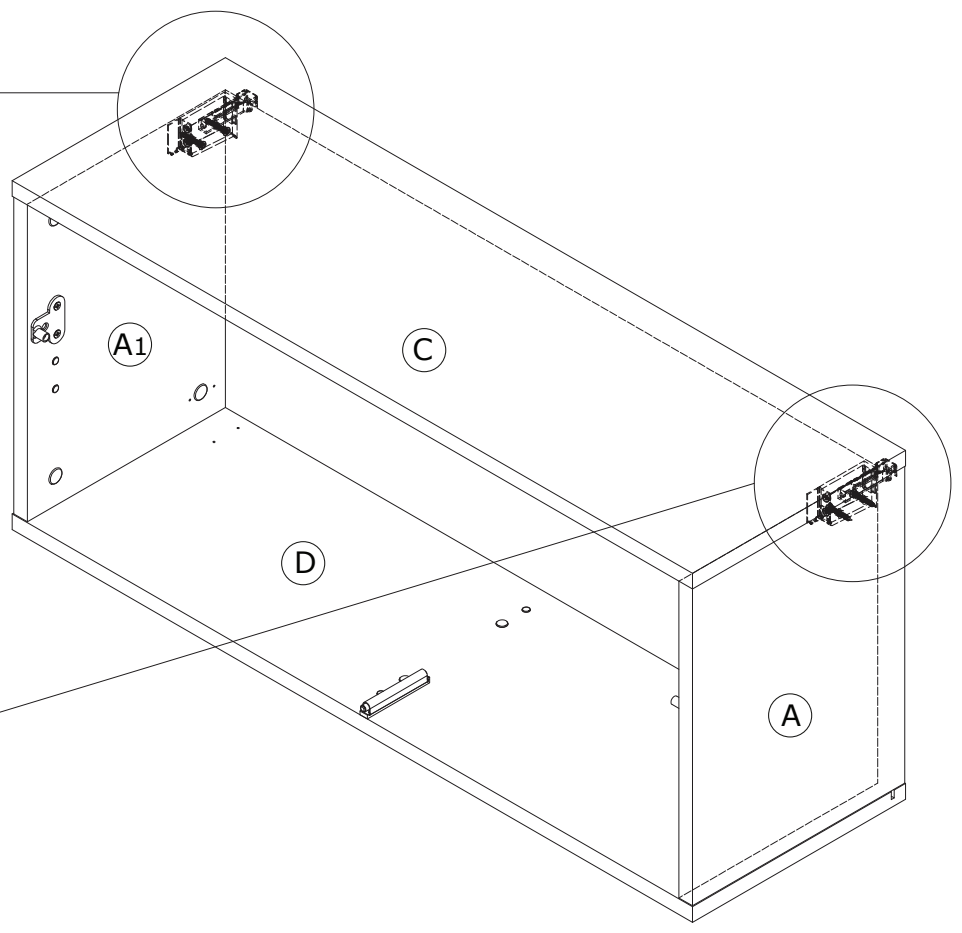
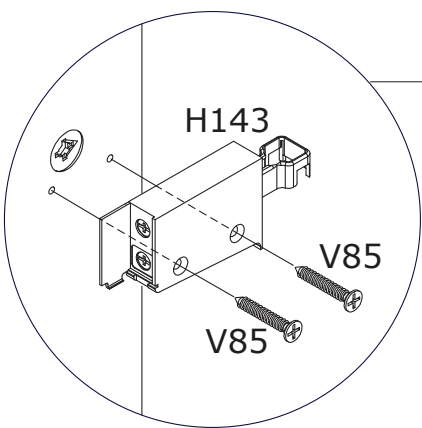


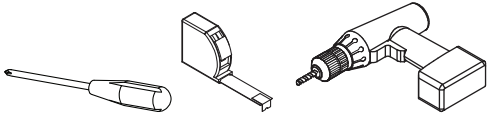
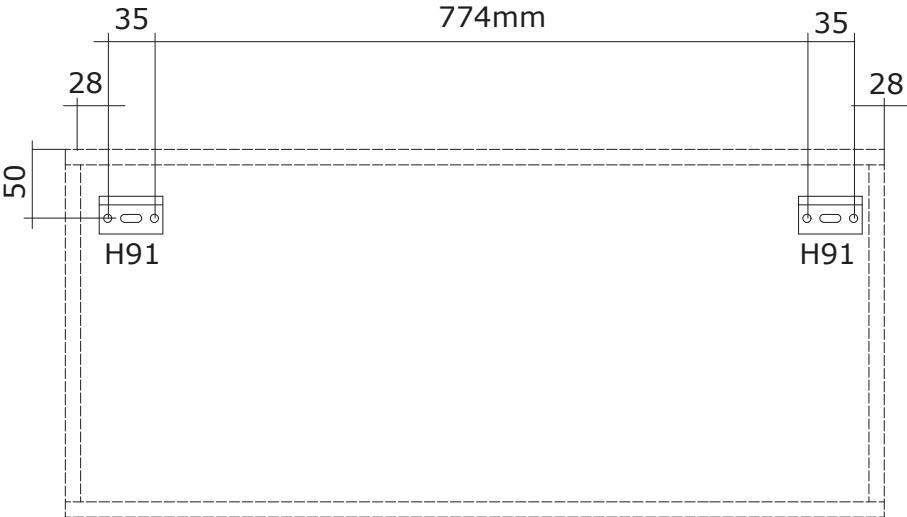
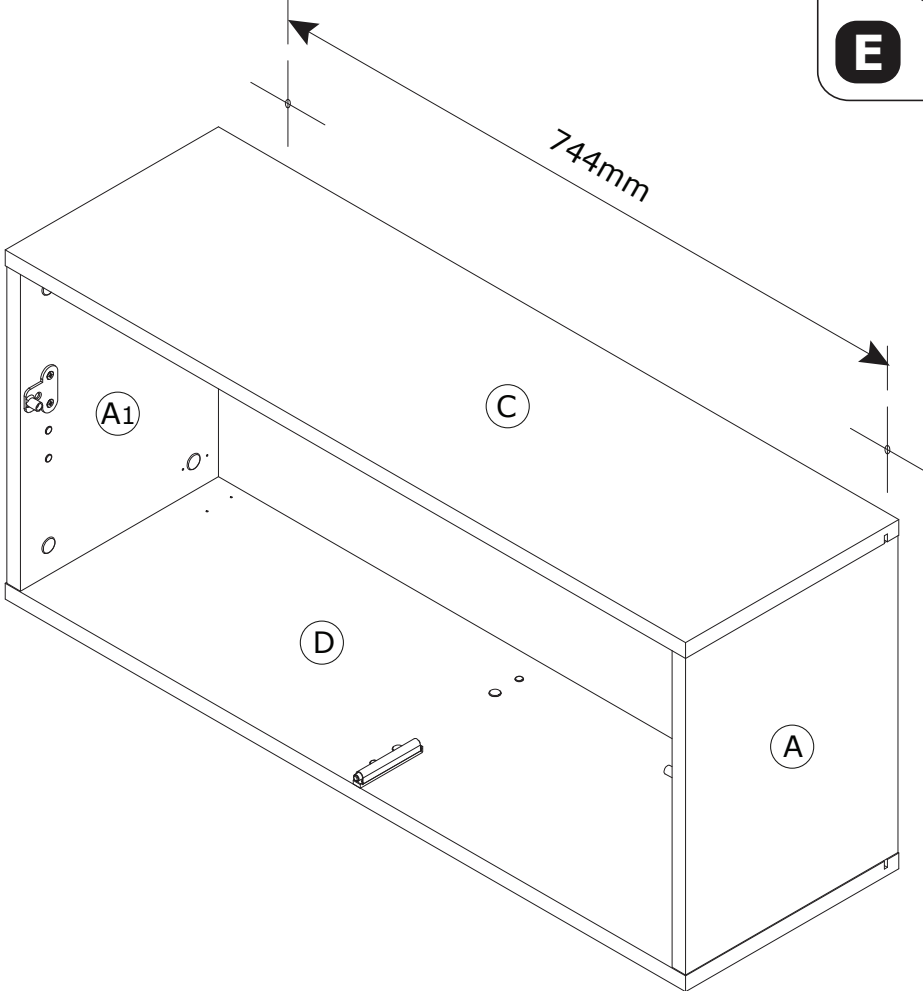
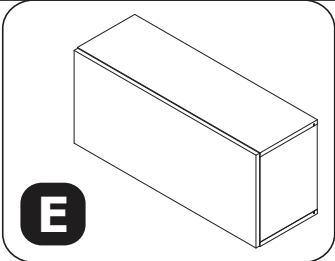
10

14x

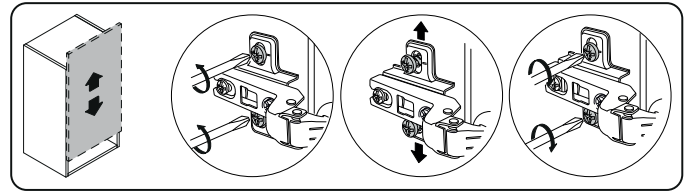
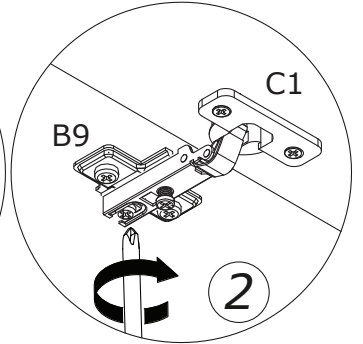
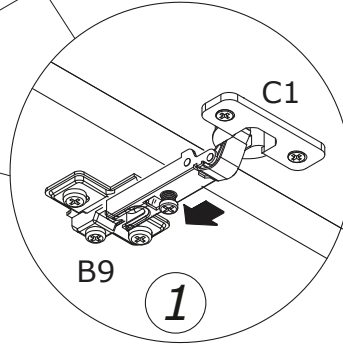
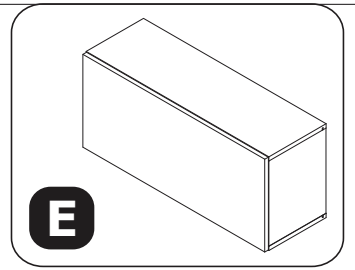
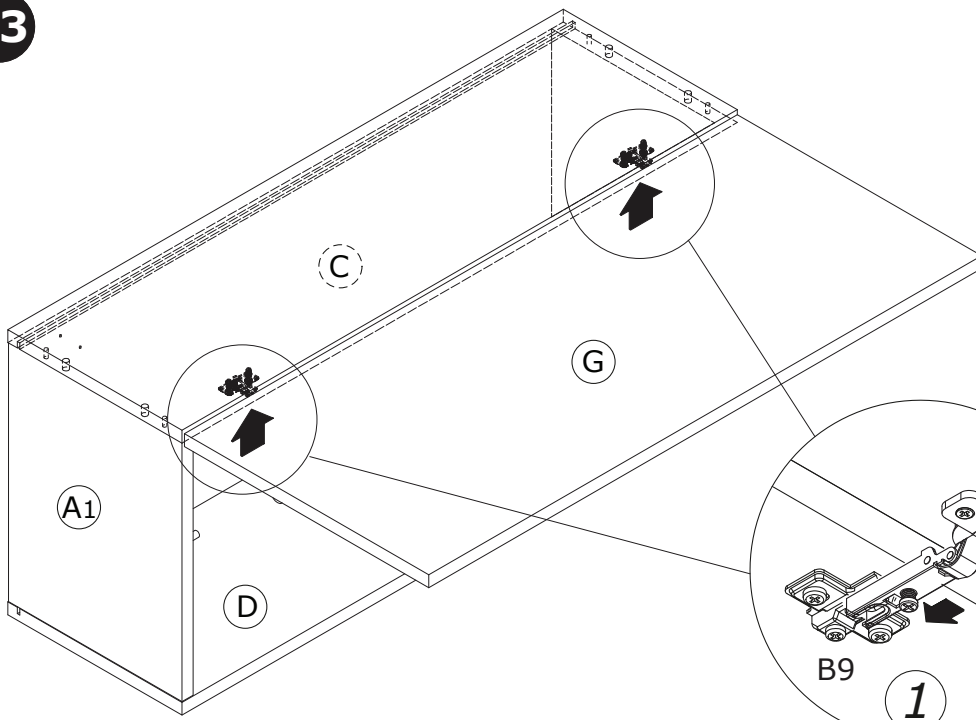


11

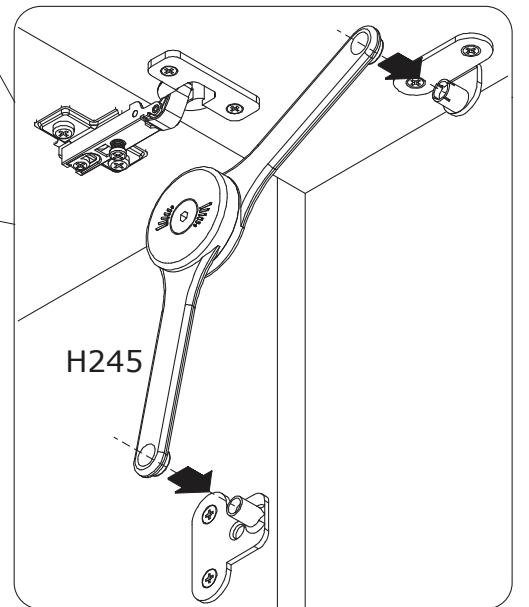
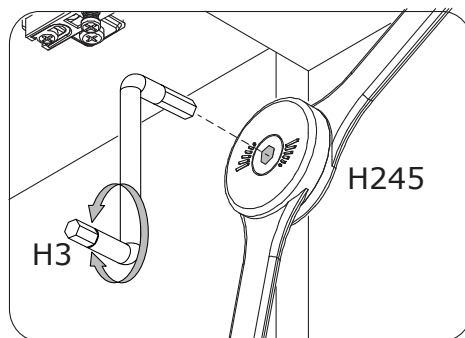
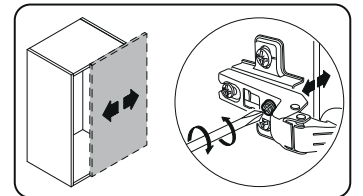
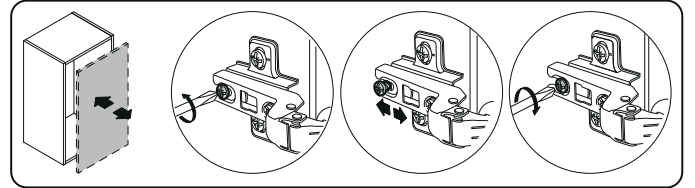
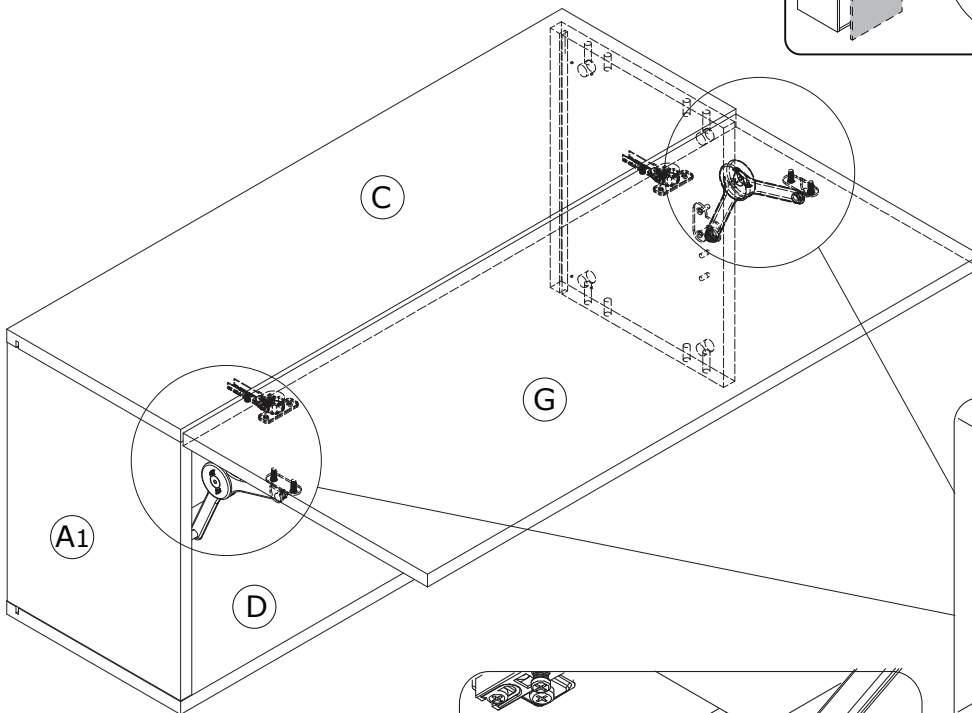




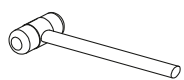
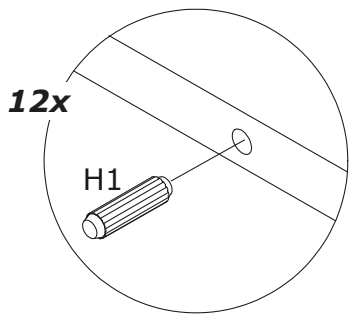
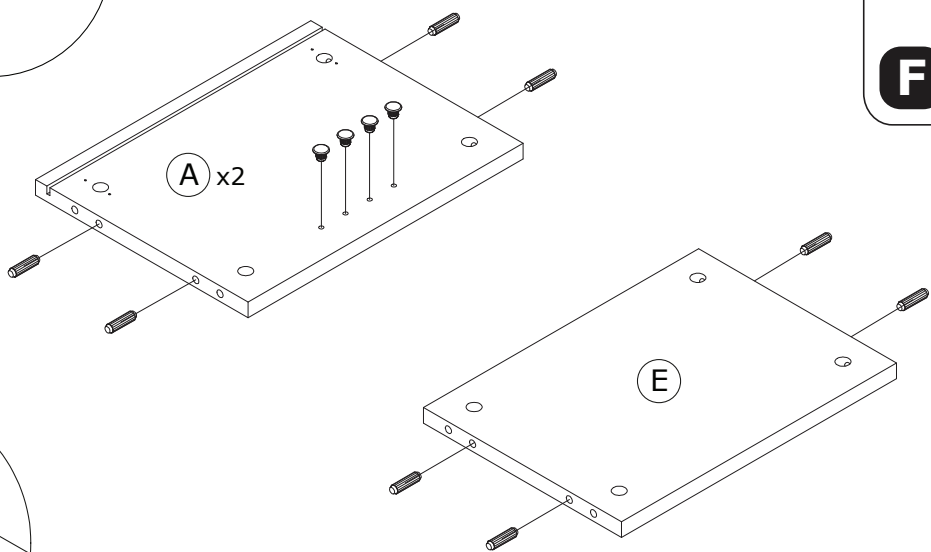
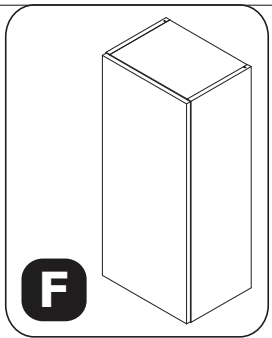
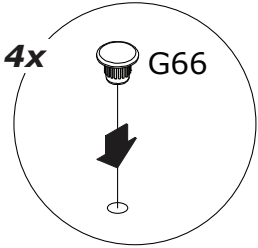
13



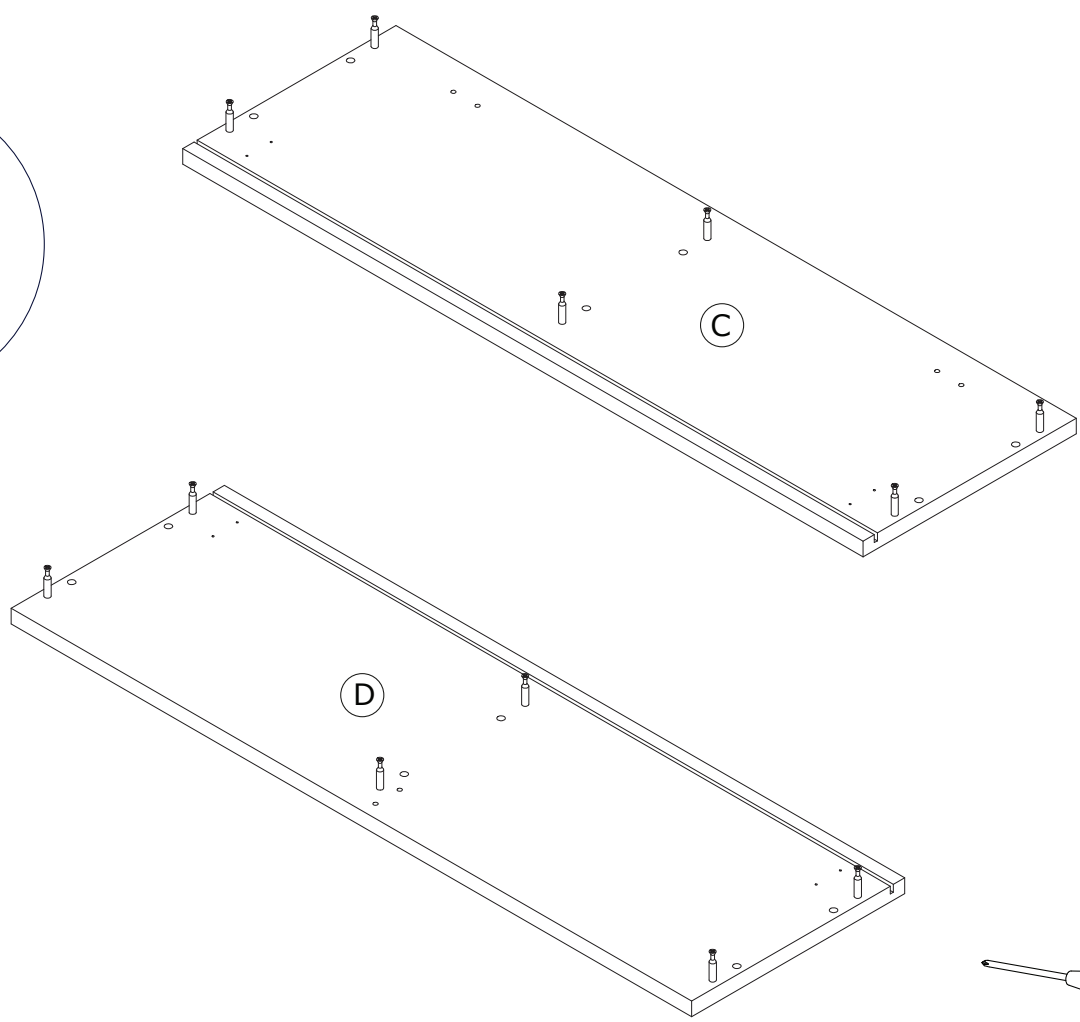
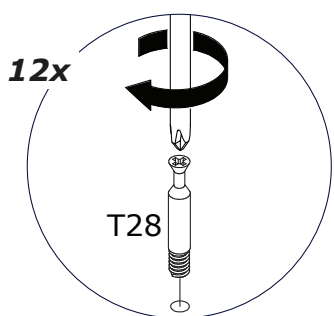
14

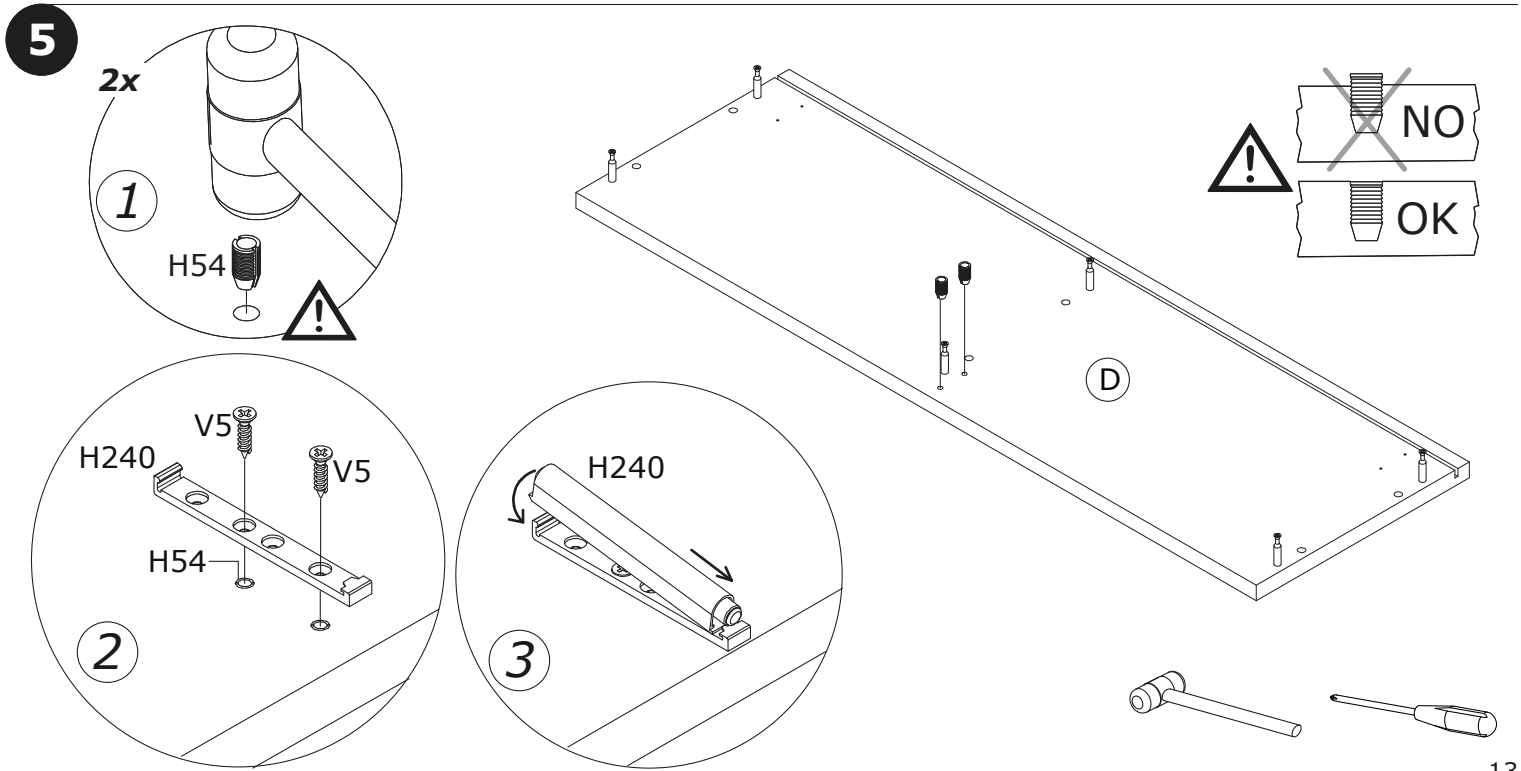
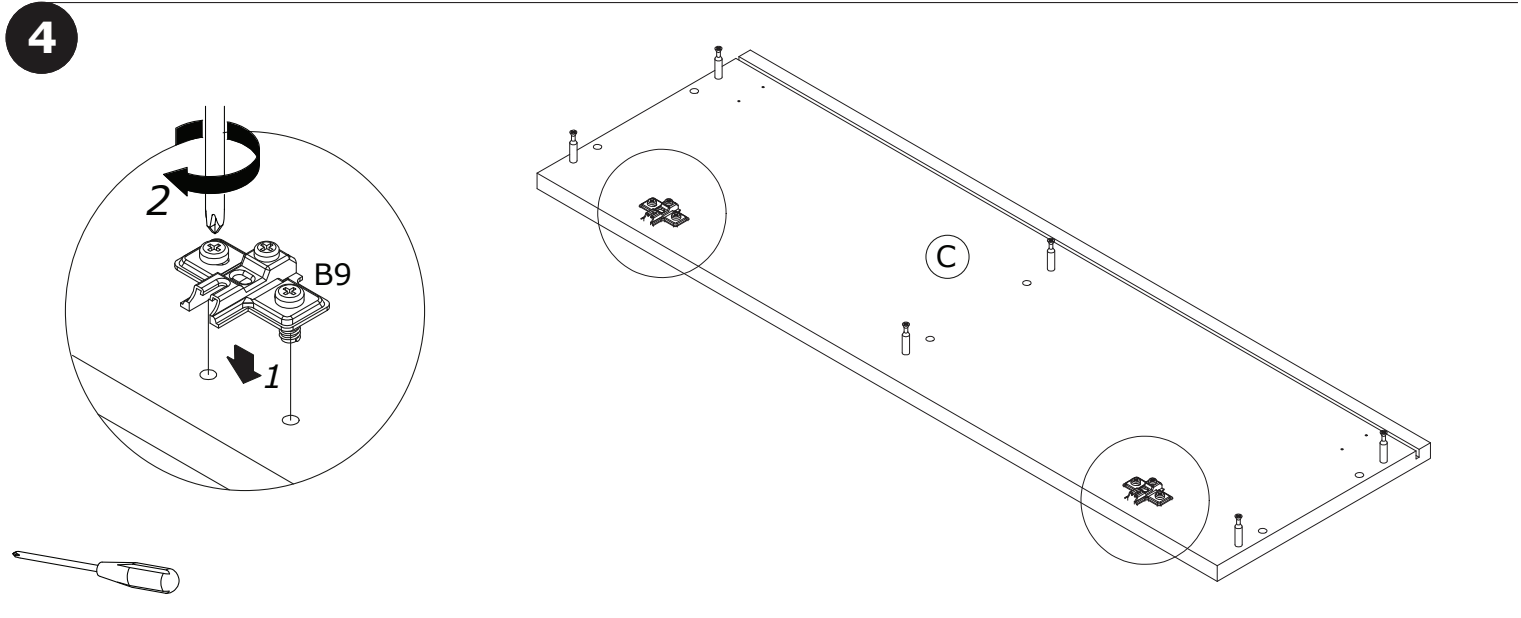
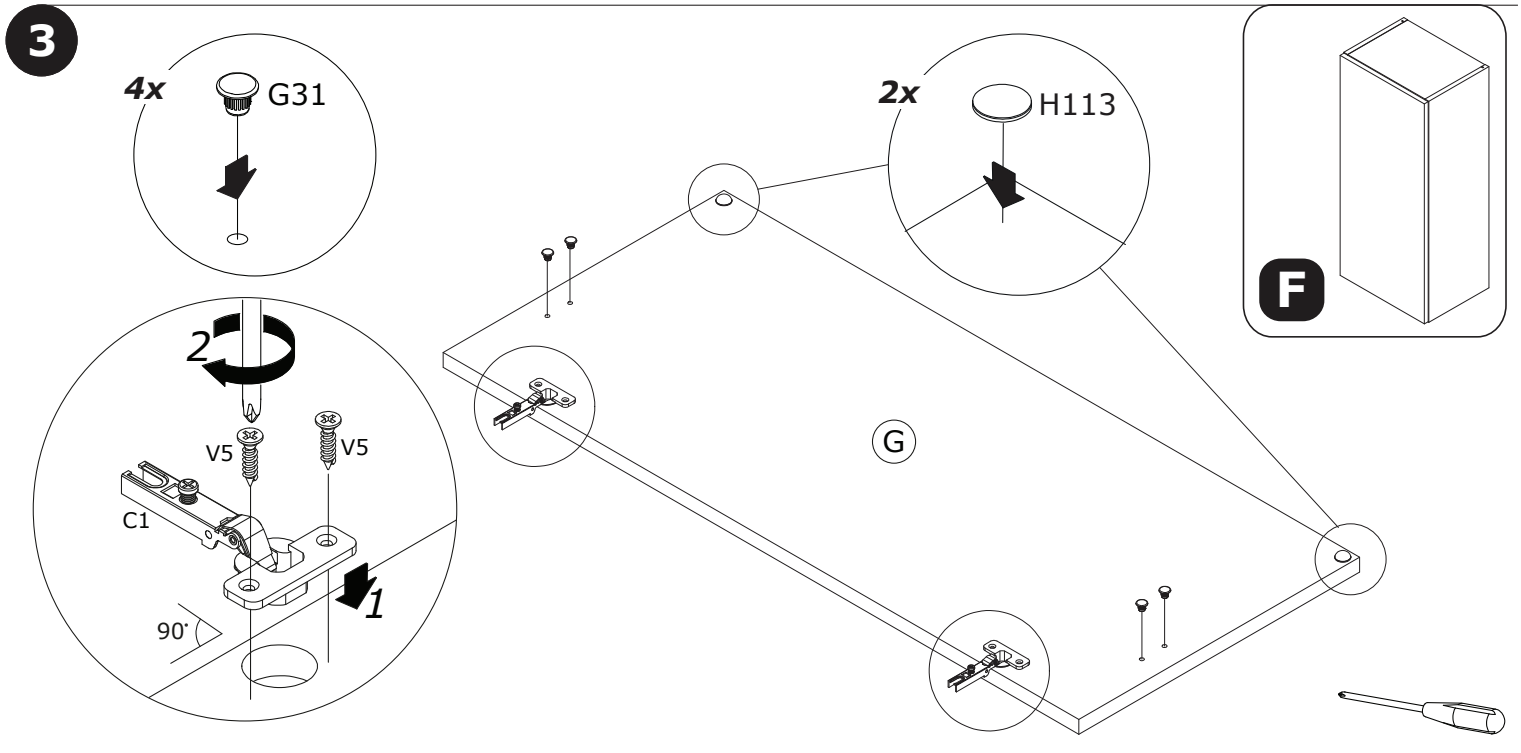


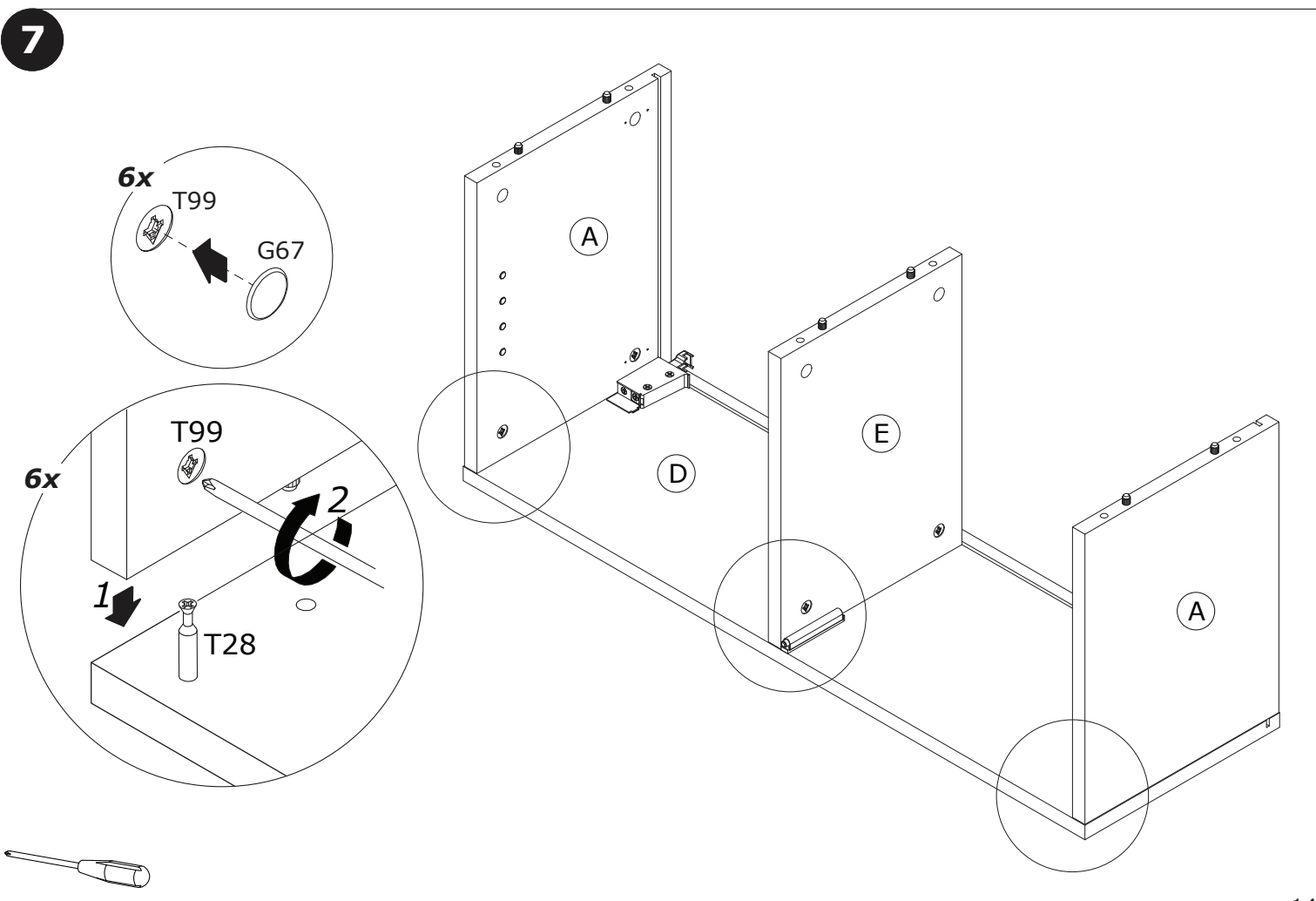
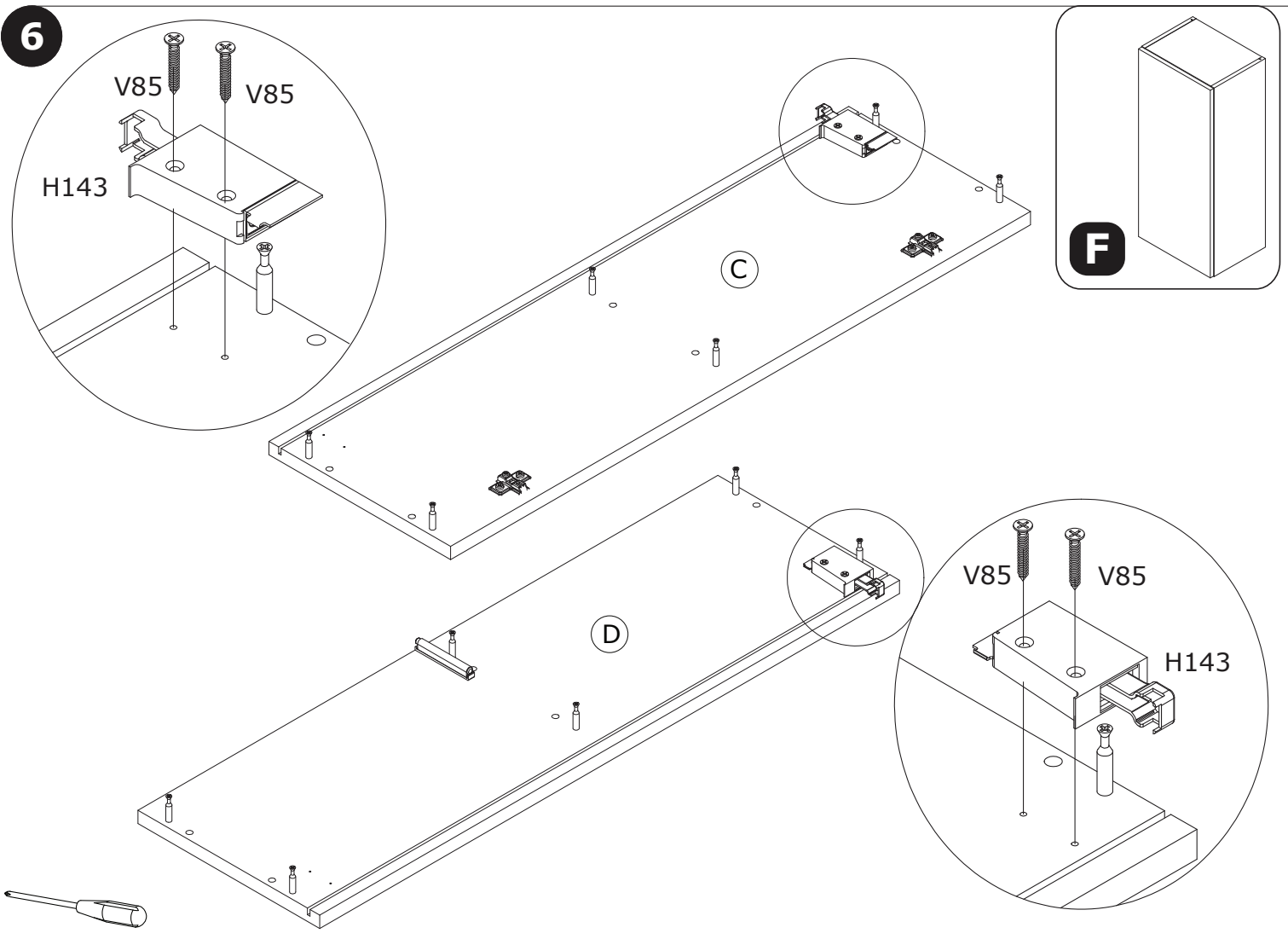
1



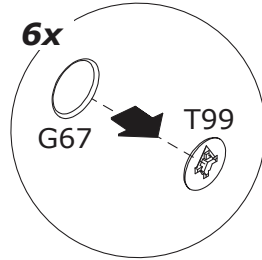
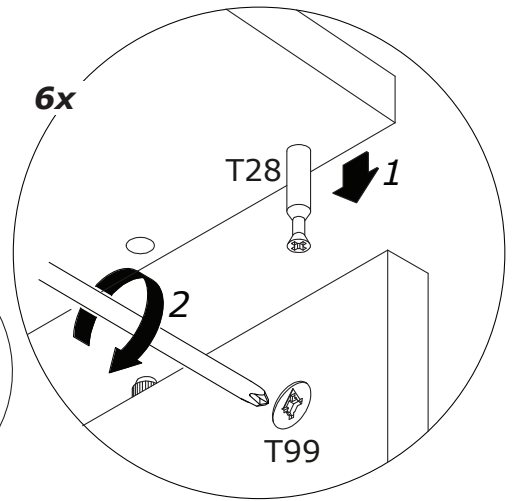
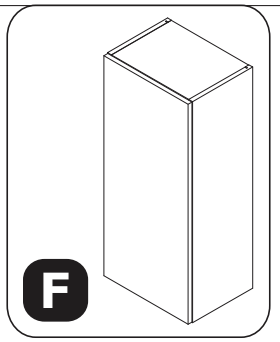
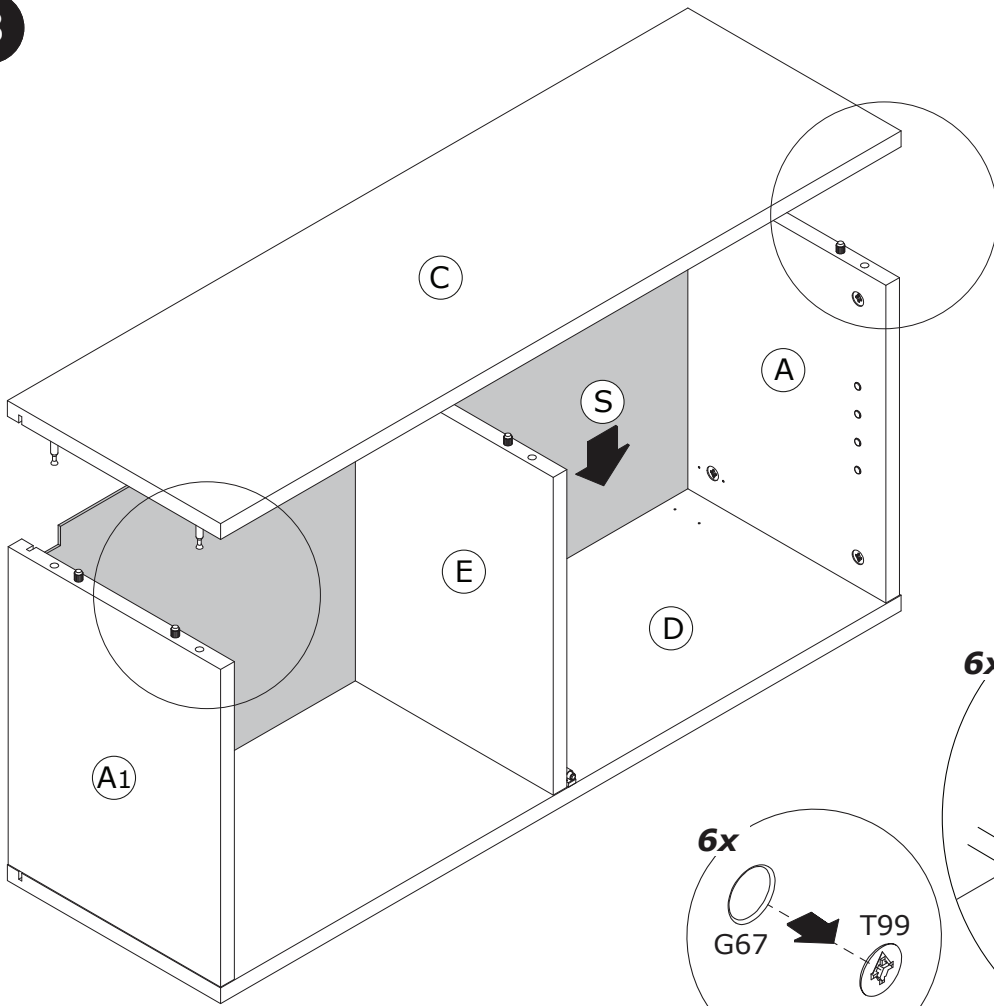
2



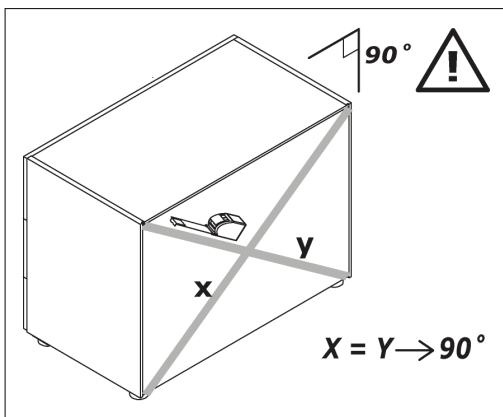
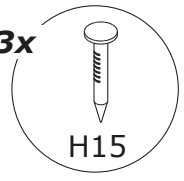
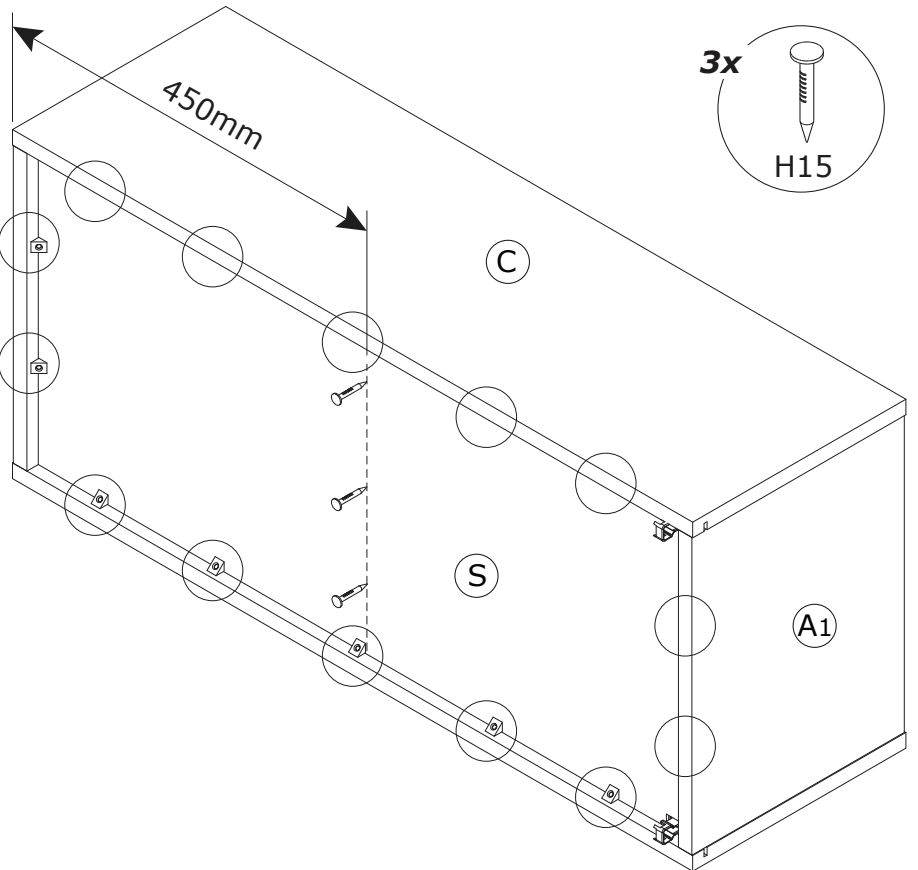
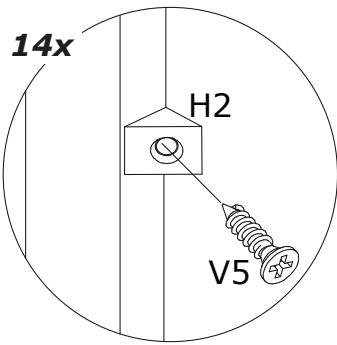




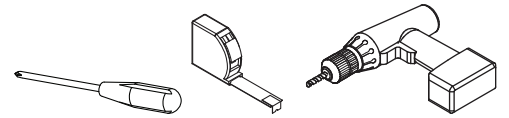
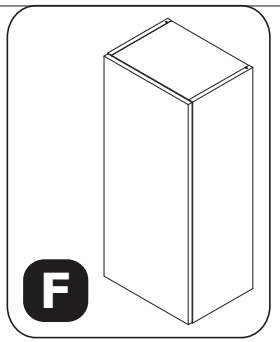
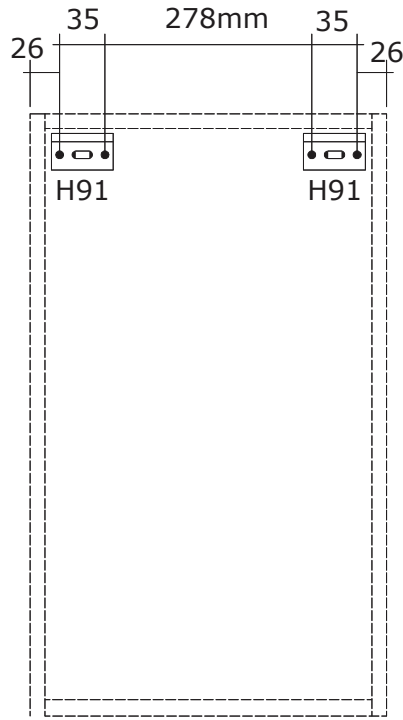
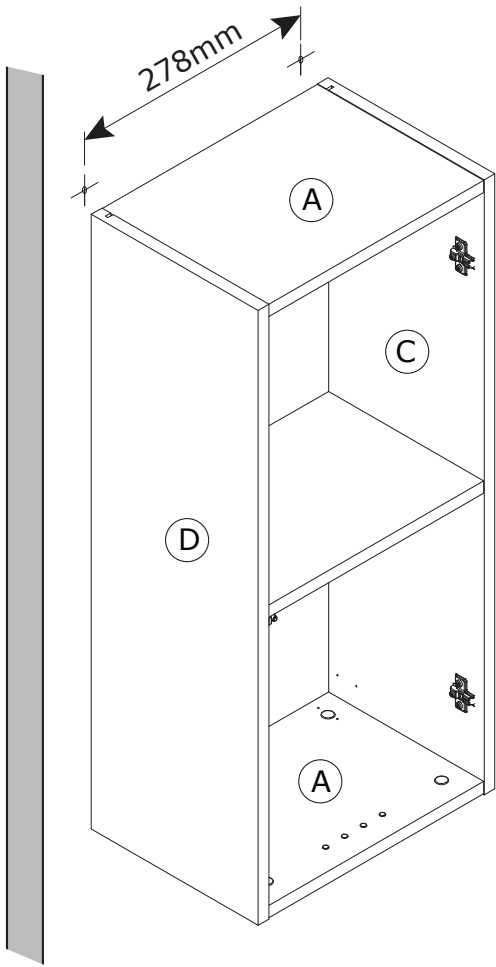
8



9



10



11

