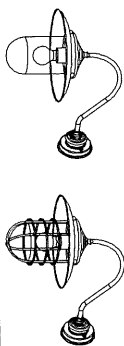




Moretti Luce

FOR

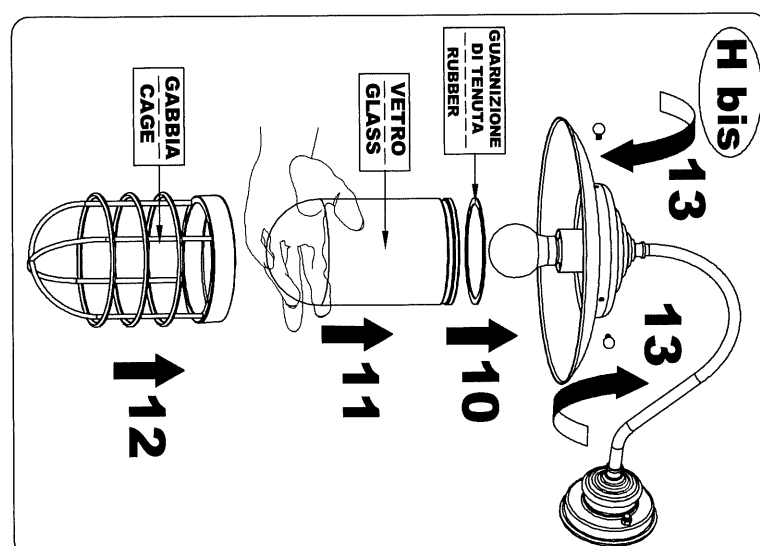
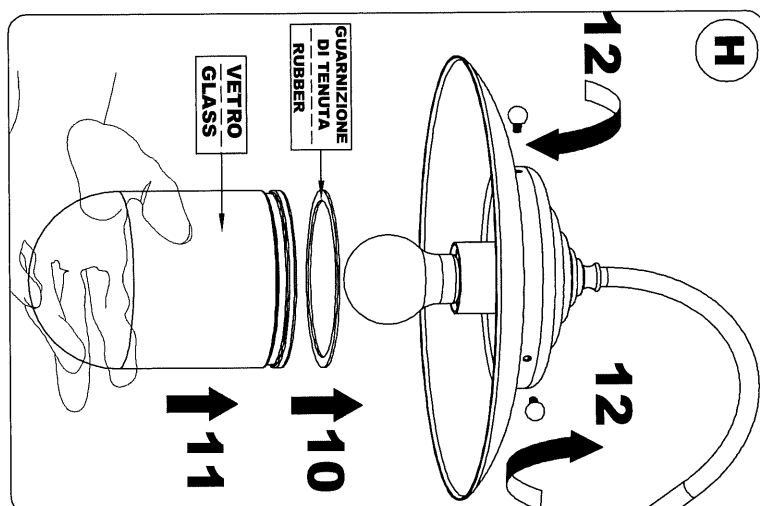
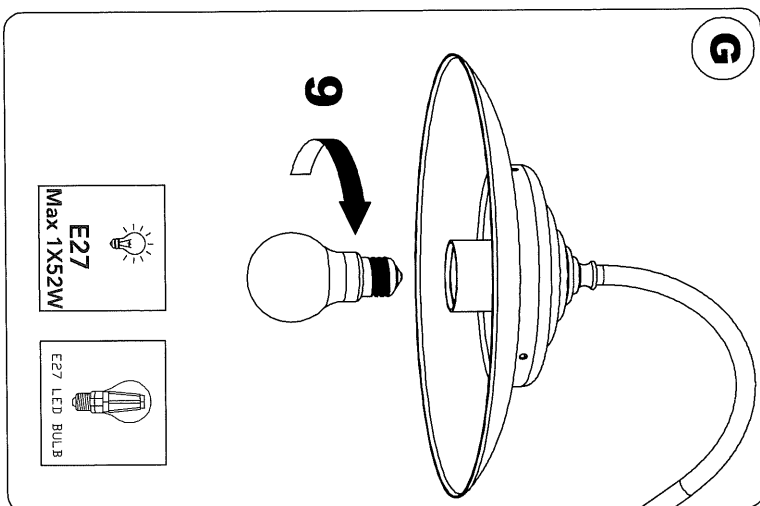
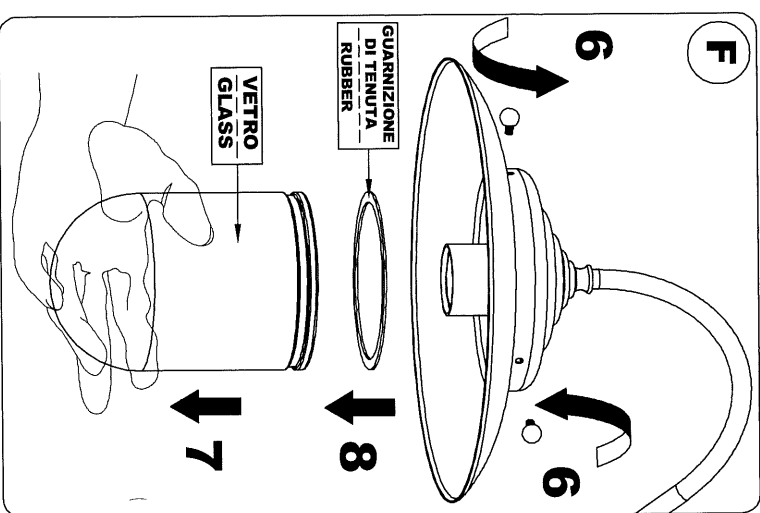
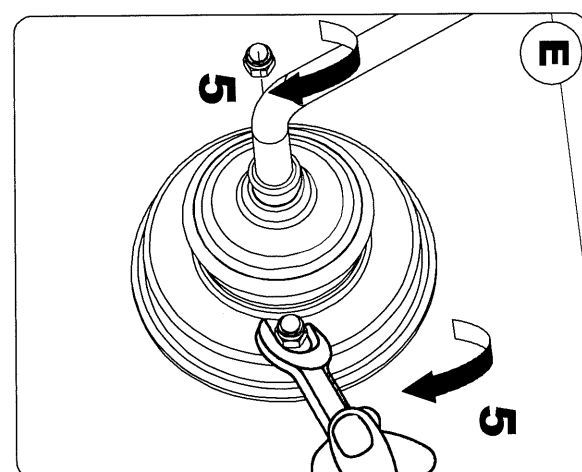
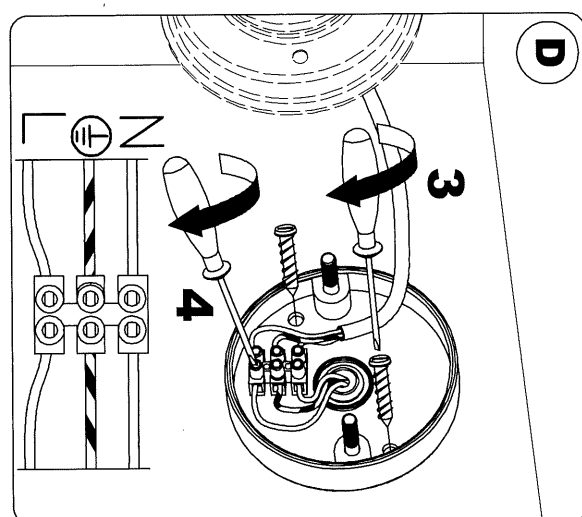
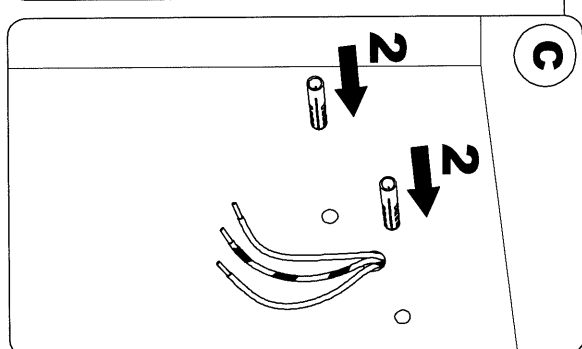
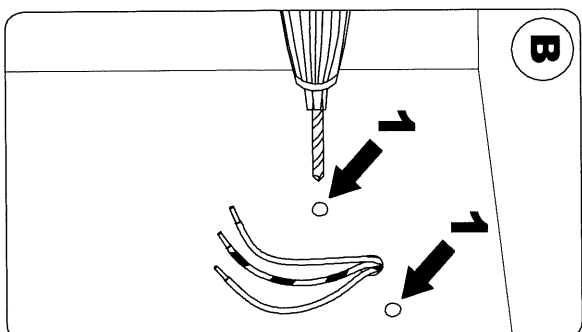
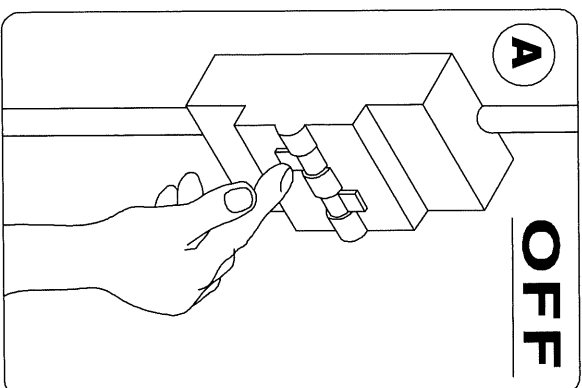
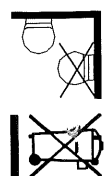
133 134 139 140 161 163



220 - 240 Volt



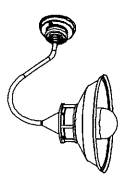
IP 44





Moretti Luce

For  
126 127 128

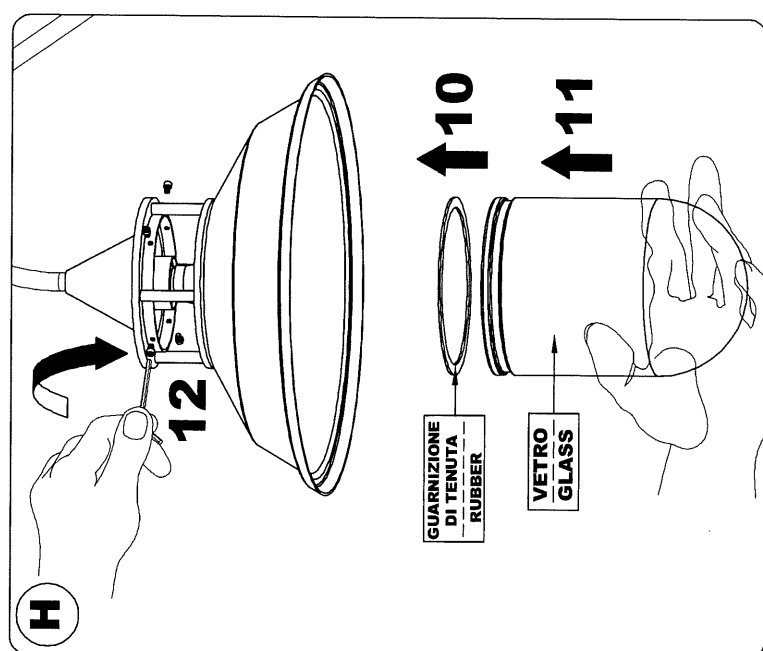
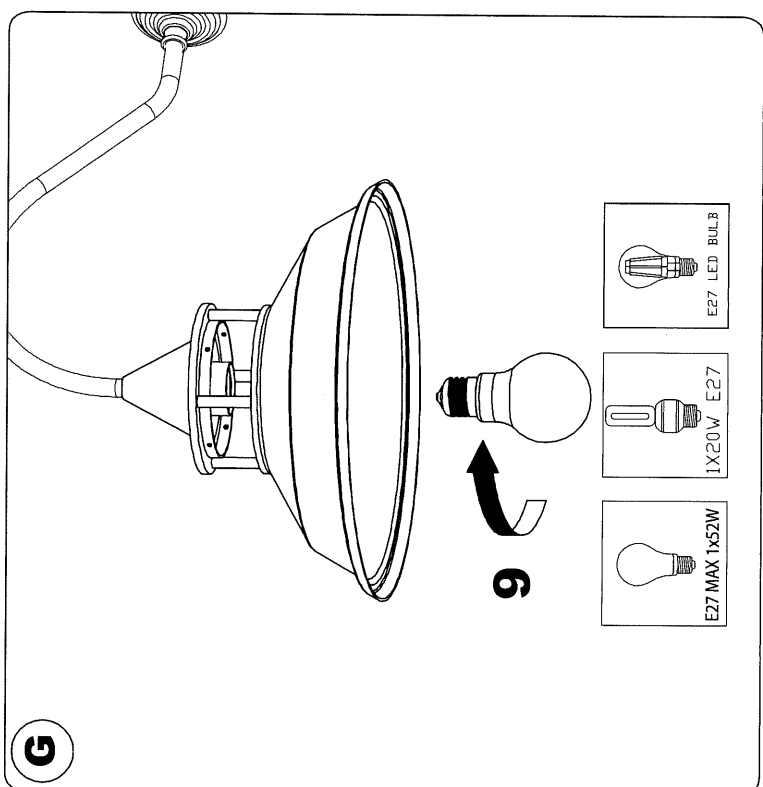
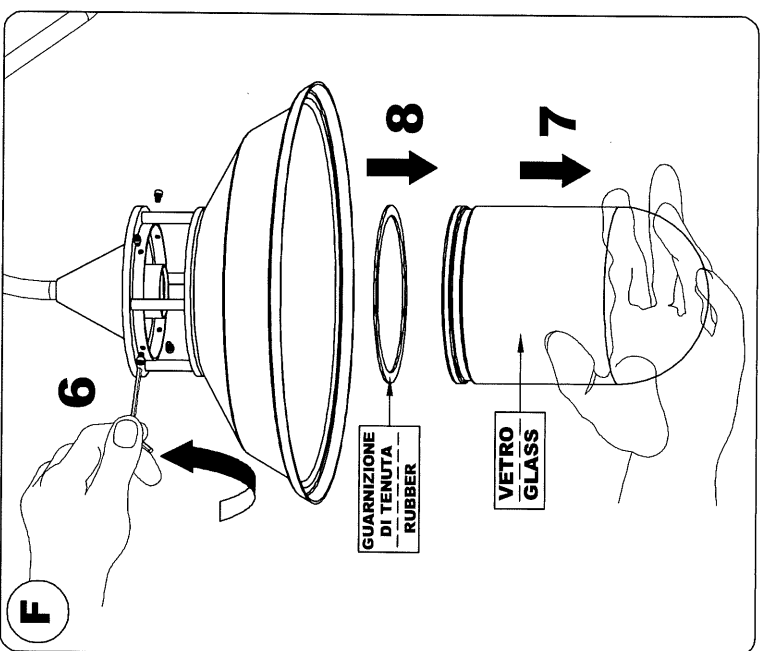
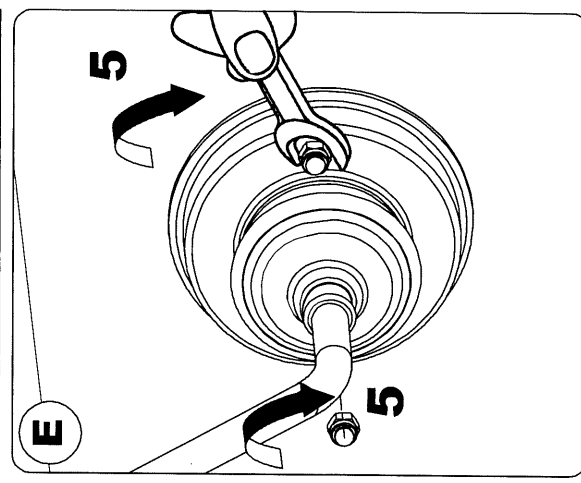
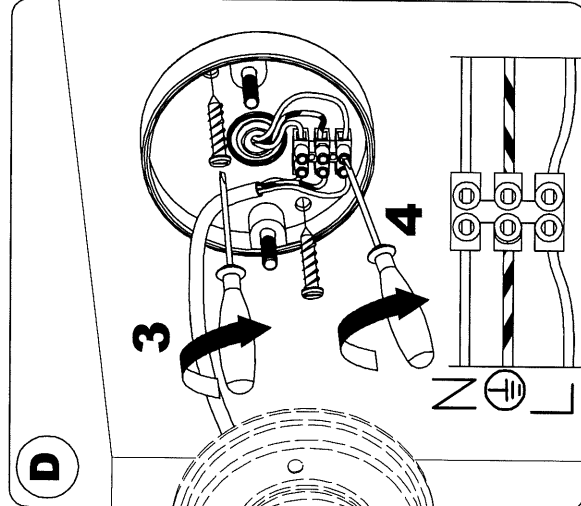
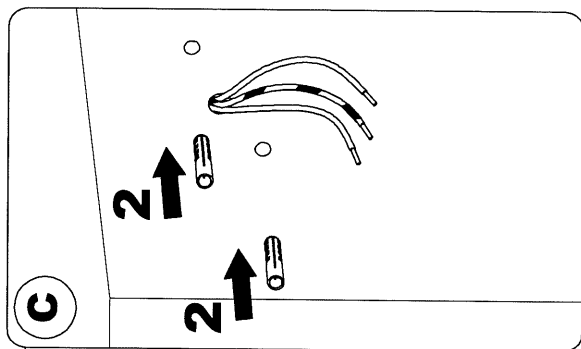
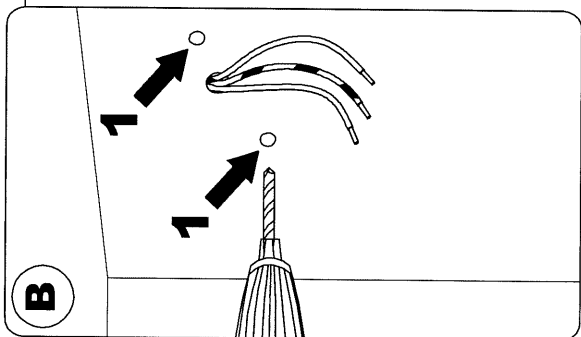
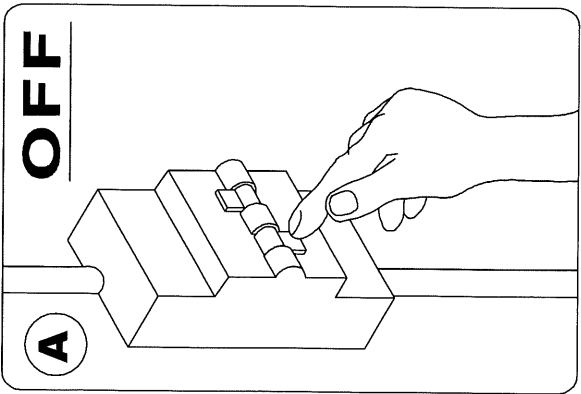
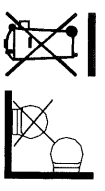


CE

220 - 240  
Volt

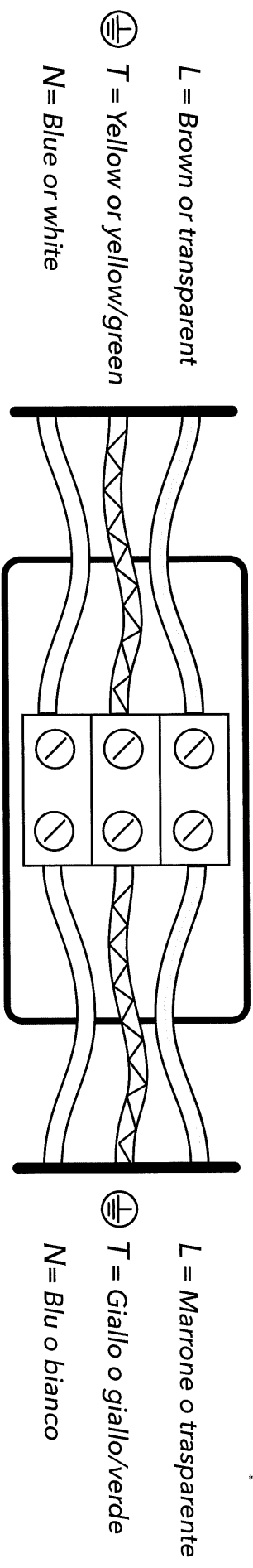


IP 44



# Cable connection instructions:

## Istruzioni per il collegamento dei cavi:



Moretti Luce



## Avvertenze:

**EN** If the external flexible cable of this luminary is damaged, it must be substituted exclusively of the manufacturer, or his service of assistance, to avoid dan-

gers.

**FR** Si le câble flexible extérieur de ce luminaire est endommagé, il doit être substitué exclu-

sivement du constructeur, de son service d'assistance, ou de personnel qualifié équivalent, au fin d'éviter des dangers.

**IT** Se il cavo flessibile esterno di questo apparecchio viene danneggiato, deve essere sostitu-

ito esclusivamente dal costruttore, dal suo servizio di assistenza, o da personale qualificato equiva-  
lente, al fine di evitare pericoli.

**RO** În caz de pierdere a integrității cablului flexibil extern al acestui aparat, înlocuirea se face

numai de către constructor, de către serviciul sau de asistență, sau de personal calificat echivalent, pentru evitarea pericolilor.

**DE** Wenn das flexible Außenkabel dieser Beleuchtung beschädigt wird, muß er ausschließlic

h vom Konstrukteur von seinem Begleitdienst oder von entsprechendem qualifiziertem Personal  
ersetzt werden, am Ende, Gefahren zu vermeiden.

**ES** Si el cable flexible exterior de este alumbrado se daña, debe substituirse exclusivamente

del fabricante, de su servicio de asistencia, o de personal cualificado equivalente, al final de evitar  
peligros.

**RU** Если повреждён внешний гибкий кабель это luminary, то его необходимо заменить

исключительно изготовляющим, его обслуживающим персоналом, или персоналом квалифицировав-  
шимся для избежания опасности.

## IT "Attenzione, Rischio di scossa elettrica!"

Il prodotto deve essere scollegato dalla linea elettrica di alimentazione se sprovvisto di lampadina

o lampadina rotta o in caso di rottura vetro.

Non utilizzare il prodotto fino all'inserimento della lampadina o sostituzione della lampadina o alla

sostituzione del vetro.

Utilizzare solo vetri originali disponibili presso il costruttore, completi di tutti gli accessori necessa-

ri per il corretto montaggio".

## EN Warning, risk of electric shock!

The product must be disconnected from power line, if does not have light bulb or has a broken

light bulb or has a broken Glass. Use only original glasses available from the manufacturer, com-

plete with all accessories required for proper installation."



Moretti Luce



Informazioni agli utenti: ai sensi dell'art. 13 del Decreto Legislativo 25 luglio 2005, n. 151 "Attuazione della Direttiva 2002/96/CE, 2002/96/CE e 2003/108/CE, relativa alla riduzione dell'uso di sostanze pericolose nelle apparecchiature elettriche ed elettroniche, nonché allo smaltimento dei rifiuti" questo prodotto è conforme.

Il simbolo del cassonetto barrato riportato sull'apparecchiatura o sulla sua confezione indica che il prodotto alla fine della propria vita utile deve essere raccolto separatamente dagli altri rifiuti.

L'utente dovrà, pertanto, l'Apparecchiatura raccolta separatamente dagli altri rifiuti.

Giunta a fine vita agli idonei centri di raccolta differenziata dei Rifiuti Elettronici ed Elettrodomestici, oppure consegnarla al rivenditore al momento dell'acquisto di una nuova apparecchiatura di tipo equivalente, in ragione di uno a uno.

L'adeguata raccolta differenziata per l'rivolo successivo della apparecchiatura dismessa al riciclaggio, al trattamento ambientale e alla smaltimento compatibile contribuisce ad evitare possibili effetti negativi sull'ambiente e sulla salute e favorire il riciclaggio e/o riciclo del materiale di cui è composta l'apparecchiatura.

Lo smaltimento abusivo del prodotto da parte dell'utente comporta l'applicazione delle sanzioni amministrative previste dalla normativa vigente.

**IT**  
**Direttiva 2002/96/CE (Rifiuti di Apparecchiature Elettriche ed Elettroniche - RAEE):**

Informazioni aux utilisateurs: Ce produit est conforme à la Directive EC 2002/96/CE. Le symbole de la corbeille barrée reporté sur l'appareil indique que ce dernier doit être éliminé à part lorsqu'il n'est plus utilisable et non pas avec les ordures ménagères. L'utilisation de ce produit est incompatible avec le recyclage, le traitement et l'élimination de façon écologique compatible. Il contribue à éviter les récyclage, le traitement et l'élimination de façon écologique compatible.

Información para el usuario: Este producto es conforme con la Directiva EU 2002/96/CE. El símbolo de la papelera barrada situada sobre el aparato indica que este producto, al final de su vida útil, debe ser tratado separadamente de los residuos domésticos. El usuario es responsable de la entrega del aparato al final de su vida útil a los centros de recogida autorizados. El adecuado proceso de recogida diferenciada permite dirigir y a su desmantelamiento o reciclaje, a su tratamiento y a su descomposición del producto. Para informacion mas detallada infierese a los sistemas de recogida disponibles, dirigirse a los sistemas de recogida o al establecimiento donde se adquirió el producto.

**FR**  
**Directive 2002/96/CE (Déchets d'équipements électriques et électroniques - DEEE):**

Información para el usuario: Este producto es conforme con la Directiva EU 2002/96/CE. El símbolo de la papelera barrada situada sobre el aparato indica que este producto, al final de su vida útil, debe ser tratado separadamente de los residuos domésticos. El usuario es responsable de la entrega del aparato al final de su vida útil a los centros de recogida autorizados. El adecuado proceso de recogida diferenciada permite dirigir y a su desmantelamiento o reciclaje, a su tratamiento y a su descomposición del producto. Para informacion mas detallada infierese a los sistemas de recogida disponibles, dirigirse a los sistemas de recogida o al establecimiento donde se adquirió el producto.

**ES**  
**Directiva 2002/96/EC (Residuos de aparatos eléctricos y electrónicos - RAEE):**

Information for users: This product complies with EU Directive 2002/96/EC. The crossed-out wastebasket symbol on the appliance means that at the end of its useful lifespan, the product must be disposed of separately from ordinary household wastes. The user is responsible for delivering the appliance to an appropriate collection facility at the end of its useful lifespan. Appropriate separate collection or recycling, treatment and environmentally compatible disposal helps prevent negative impact on the environment and promotes recycling. For more information on available collection facilities, contact your local waste collection service or the shop where you bought this appliance.

**NL**  
**Richtlijn 2002/96/EG (Afgedante Elektrische en Elektronische Apparaten - AEEA):**

Information for users: This product complies with EU Directive 2002/96/EC. The crossed-out wastebasket symbol on the appliance means that at the end of its useful lifespan, the product must be disposed of separately from ordinary household wastes. The user is responsible for delivering the appliance to an appropriate collection facility at the end of its useful lifespan. Appropriate separate collection or recycling, treatment and environmentally compatible disposal helps prevent negative impact on the environment and promotes recycling. For more information on available collection facilities, contact your local waste collection service or the shop where you bought this appliance.

Informações para os utilizadores: Este produto é conforme à Directiva EU 2002/96/CE. O símbolo do cesto de lixo sobre o aparelho indica que o produto, após o fim da sua vida útil, deve ser tratado separadamente dos resíduos domésticos. O utilizador é responsável pela entrega do aparelho, no fim da vida útil, para evitar possíveis efeitos negativos sobre o ambiente e a saúde e favorecer a reciclagem. Para mais detalhes referentes aos sistemas de recolha, dirija-se ao serviço disponível, dirigindo-se aos sistemas de recolha ou ao estabelecimento onde o produto foi adquirido.

**PT**  
**Directiva 2002/96/CE (Resíduos de equipamentos eléctricos e electrónicos REEE):**

Information for users: This product complies with EU Directive 2002/96/EC. The crossed-out wastebasket symbol on the appliance means that at the end of its useful lifespan, the product must be disposed of separately from ordinary household wastes. The user is responsible for delivering the appliance to an appropriate collection facility at the end of its useful lifespan. Appropriate separate collection or recycling, treatment and environmentally compatible disposal helps prevent negative impact on the environment and promotes recycling. For more information on available collection facilities, contact your local waste collection service or the shop where you bought this appliance.

**DK**  
**Symbol for affald af elektrisk og elektronisk udstyr (WEEE):**

Information for users: This product complies with EU Directive 2002/96/EC. The crossed-out wastebasket symbol on the appliance means that at the end of its useful lifespan, the product must be disposed of separately from ordinary household wastes. The user is responsible for delivering the appliance to an appropriate collection facility at the end of its useful lifespan. Appropriate separate collection or recycling, treatment and environmentally compatible disposal helps prevent negative impact on the environment and promotes recycling. For more information on available collection facilities, contact your local waste collection service or the shop where you bought this appliance.

**UK**  
**Directive 2002/96/EC (Waste Electrical and Electronic Equipment - WEEE):**

Information for users: This product complies with EU Directive 2002/96/EC. The crossed-out wastebasket symbol on the appliance means that at the end of its useful lifespan, the product must be disposed of separately from ordinary household wastes. The user is responsible for delivering the appliance to an appropriate collection facility at the end of its useful lifespan. Appropriate separate collection or recycling, treatment and environmentally compatible disposal helps prevent negative impact on the environment and promotes recycling. For more information on available collection facilities, contact your local waste collection service or the shop where you bought this appliance.

**DE**  
**Richtlinie 2002/96/EU (Elektro- und Elektronik-Altgeräte - WEEE):**

Information for users: This product complies with EU Directive 2002/96/EC. The crossed-out wastebasket symbol on the appliance means that at the end of its useful lifespan, the product must be disposed of separately from ordinary household wastes. The user is responsible for delivering the appliance to an appropriate collection facility at the end of its useful lifespan. Appropriate separate collection or recycling, treatment and environmentally compatible disposal helps prevent negative impact on the environment and promotes recycling. For more information on available collection facilities, contact your local waste collection service or the shop where you bought this appliance.

Informações para os utilizadores: Este produto é conforme à Directiva EU 2002/96/CE. O símbolo do cesto de lixo sobre o aparelho indica que o produto, após o fim da sua vida útil, deve ser tratado separadamente dos resíduos domésticos. O utilizador é responsável pela entrega do aparelho, no fim da vida útil, para evitar possíveis efeitos negativos sobre o ambiente e a saúde e favorecer a reciclagem. Para mais detalhes referentes aos sistemas de recolha, dirija-se ao serviço disponível, dirigindo-se aos sistemas de recolha ou ao estabelecimento onde o produto foi adquirido.

**PT**  
**Directiva 2002/96/CE (Resíduos de equipamentos eléctricos e electrónicos REEE):**

Information for users: This product complies with EU Directive 2002/96/EC. The crossed-out wastebasket symbol on the appliance means that at the end of its useful lifespan, the product must be disposed of separately from ordinary household wastes. The user is responsible for delivering the appliance to an appropriate collection facility at the end of its useful lifespan. Appropriate separate collection or recycling, treatment and environmentally compatible disposal helps prevent negative impact on the environment and promotes recycling. For more information on available collection facilities, contact your local waste collection service or the shop where you bought this appliance.

**DK**  
**Symbol for affald af elektrisk og elektronisk udstyr (WEEE):**

Information for users: This product complies with EU Directive 2002/96/EC. The crossed-out wastebasket symbol on the appliance means that at the end of its useful lifespan, the product must be disposed of separately from ordinary household wastes. The user is responsible for delivering the appliance to an appropriate collection facility at the end of its useful lifespan. Appropriate separate collection or recycling, treatment and environmentally compatible disposal helps prevent negative impact on the environment and promotes recycling. For more information on available collection facilities, contact your local waste collection service or the shop where you bought this appliance.

**UK**  
**Directive 2002/96/EC (Waste Electrical and Electronic Equipment - WEEE):**

Information for users: This product complies with EU Directive 2002/96/EC. The crossed-out wastebasket symbol on the appliance means that at the end of its useful lifespan, the product must be disposed of separately from ordinary household wastes. The user is responsible for delivering the appliance to an appropriate collection facility at the end of its useful lifespan. Appropriate separate collection or recycling, treatment and environmentally compatible disposal helps prevent negative impact on the environment and promotes recycling. For more information on available collection facilities, contact your local waste collection service or the shop where you bought this appliance.

**DE**  
**Richtlinie 2002/96/EU (Elektro- und Elektronik-Altgeräte - WEEE):**

Information for users: This product complies with EU Directive 2002/96/EC. The crossed-out wastebasket symbol on the appliance means that at the end of its useful lifespan, the product must be disposed of separately from ordinary household wastes. The user is responsible for delivering the appliance to an appropriate collection facility at the end of its useful lifespan. Appropriate separate collection or recycling, treatment and environmentally compatible disposal helps prevent negative impact on the environment and promotes recycling. For more information on available collection facilities, contact your local waste collection service or the shop where you bought this appliance.

